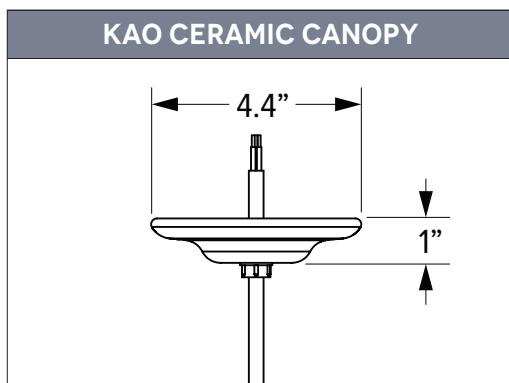
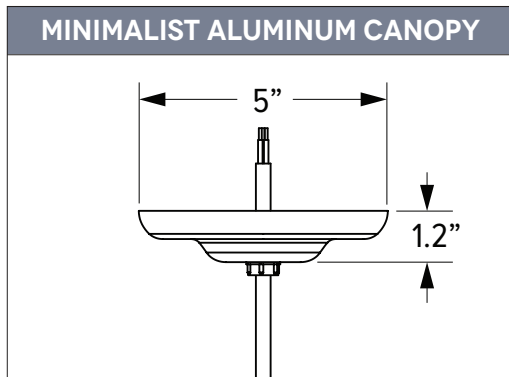
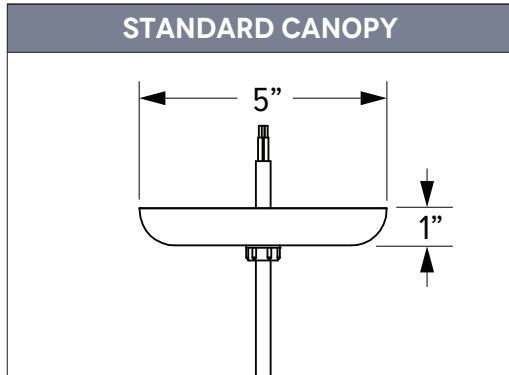


Numerous cord options contribute additional style to our pendant lights. Colorful options add playfulness and personality to the pendant’s aesthetic while black and white cords take on a more subdued role in the fixture’s design. Certain cords receive a rating for “damp” locations — meaning they can be exposed to moisture in the air but not direct contact with water. Other cords are limited to interior spaces. Cord-hung pendants include 7’ of standard cord or 5’ of cotton cord, +/- for socket orientation.



UL/CSA LISTED CORD OPTIONS

Damp or Dry Locations



SBK Standard Black Cord



CSB Black Cloth Cord



CSR Red Cloth Cord



CRZ Red Chevron Cloth Cord



CSRW Red & White Cloth Cord



CSBP Black & Pink Cloth Cord



CSUW Blue & White Cloth Cord



SWH Standard White Cord



CSW White Cloth Cord



CMG Grey Cloth Cord



CSBW Black & White Cloth Cord



CSBG Black & Gold Cloth Cord



CSGW Gold & White Cloth Cord



CSBB Black & Brown Chevron Cloth Cord

NON-CSA LISTED CORD OPTIONS

Dry Locations Only



TBK Black Cotton Twist Cord



TBR Brown Cotton Twist Cord



TBB Brown & Beige Cotton Twist Cord



TRW Red & White Cotton Twist Cord



TBW Black & White Chevron Cotton Twist Cord



TWH White Cotton Twist Cord



TPT Putty Cotton Twist Cord



TRD Red Cotton Twist Cord