

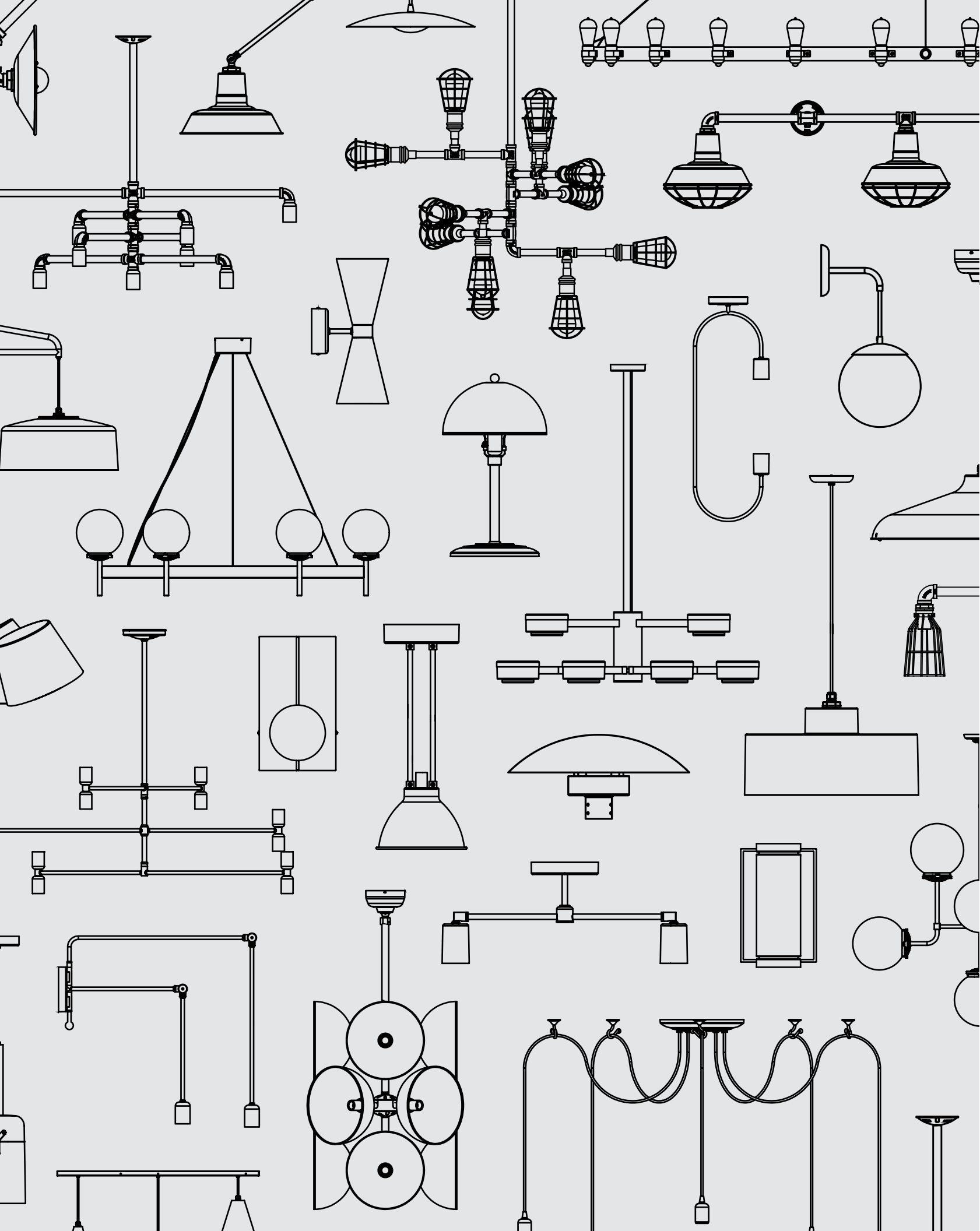


BARN LIGHT

ELECTRIC COMPANY.®

CUSTOM CAPABILITIES

BARNLIGHT.COM | 800.407.8784



IMPORTANT

The information contained in this catalog is the sole property of Barn Light Electric Company, LLC. Any reproduction in part or as a whole without the written permission of Barn Light Electric Company, LLC is prohibited.

INDEX

CUSTOM CEILING MOUNTS 6

From chandeliers to cord pendants to everything in between

CUSTOM WALL MOUNTS 86

Array of wall sconces, inventive goosenecks and sprawling, large-scale fixtures

CUSTOM PORTABLES 106

Custom, plug-in lighting for quick refreshes

CUSTOM POST TOPS 108

Lights mounted on posts, pillars, or columns—indoors and out

CUSTOM MOUNTINGS 112

Creative new ways to mount our existing shades and fixtures



WHY CHOOSE BARN LIGHT CUSTOM FIXTURES?

UNMATCHED QUALITY

All Barn Light Electric custom fixtures are crafted in our 60,000-square-foot, Florida-based facility. Handling the manufacturing of custom products in-house gives us unrestricted control over the quality of materials used in these designs. We utilize durable, commercial-grade materials and employ time-honored manufacturing techniques such as metal spinning to construct our lights. Paying careful attention to the finer details throughout this entire process provides a level of durability not found in machine-made alternatives. Conforming to UL 8750 and UL 1598 safety standards, our custom lights are tested to ensure they're safe for installation in commercial settings.

OUR EXPERIENCE

With hundreds of custom jobs under our belts, we've finely tuned our custom lighting program. Teamwork and communication are essential in the custom process, and our team enjoys the creativity and problem solving involved in developing these new fixtures. When designing custom lights, our engineering team leverages decades of experience in the lighting industry and product development field. Our fabrication and manufacturing teams have a proven track record with the creation and large-scale production of custom lighting. Together, they work hard to design and manufacture custom products efficiently and expediently.

CUSTOM VS. MODIFICATION

Our custom lighting falls into two categories: modifications and custom lights. From unique colors to personalized mountings, modifications rework our existing fixtures to match a project's specific requirements. For fully custom designs, we'll start from scratch to bring your one-of-a-kind creations to life. Whichever your project requires, the result is guaranteed to be unique and truly your own.

CUSTOM FINISHES

Do you have a brand-specific color that's not listed among our available finishes? Fortunately, we're able to incorporate custom colors into our lights. Using RAL numbers is the simplest and most accurate way for us to match a color, but if that's unavailable, we're able to reproduce colors from swatches. If necessary, we can send you a sample for your approval.

THE PROCESS

When ordering custom lighting from Barn Light Electric, you'll work closely with our in-house engineering, fabrication, and sales teams to develop your designs. Starting with images, sketches, or other inspiration you have for your fixture, our team will begin to create spec sheets, renderings, and eventually prototypes of your custom lighting. We'll keep you updated and respond to your feedback throughout this entire process. Once you've signed off on the final design and costing, we'll begin manufacturing and then ship your order!

COSTING AND LEAD TIMES

A fixture's complexity and order volume determine a custom project's final costing and lead times. Simple modifications carry a lower price tag and shorter lead times while fully custom designs often incur higher engineering fees and additional tooling costs. We estimate lead times for modifications at six to eight weeks and 10 to 12 weeks for custom fixtures, but these times may vary. Because we distribute any necessary fees into a fixture's price, large-volume orders carry a lower per-fixture cost.

CUSTOM CHANDELIER: #191

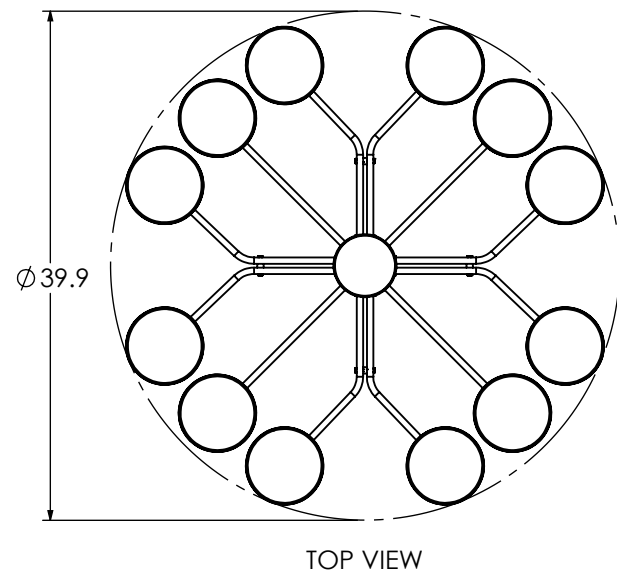
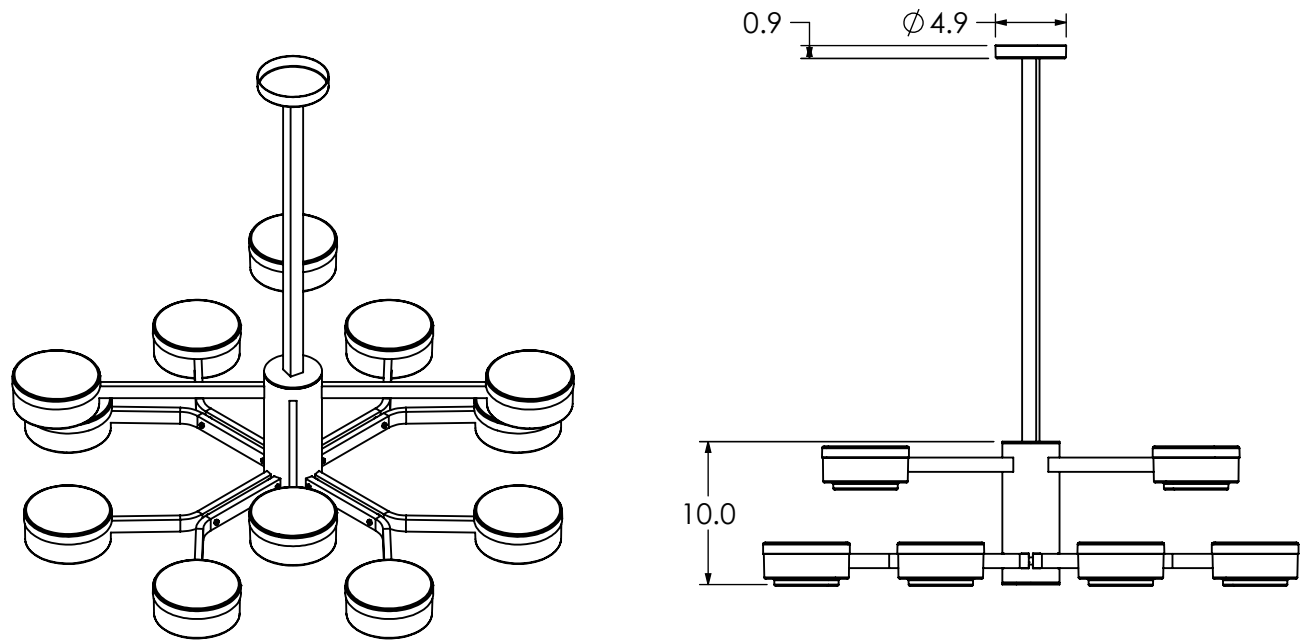
SPECIFICATIONS

GENERAL:

- Suitable for Dry Locations
- Made in USA, Manufactured and Hand-Crafted in Titusville, Florida
- UL Listed (US & Canada)

LIGHT SOURCE:

- 12x E12 Screw Base Sockets
- 40 Watt Max Per Bulb
- B10 Bulbs Supplied by Other



CUSTOM CHANDELIER: #169

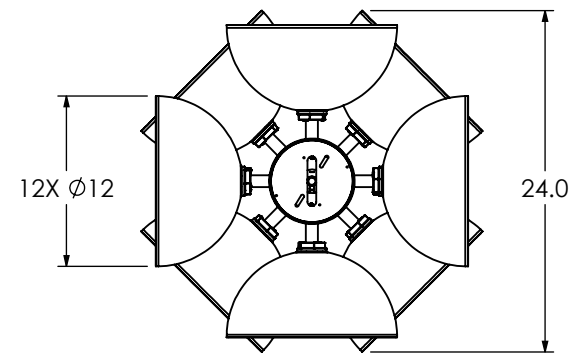
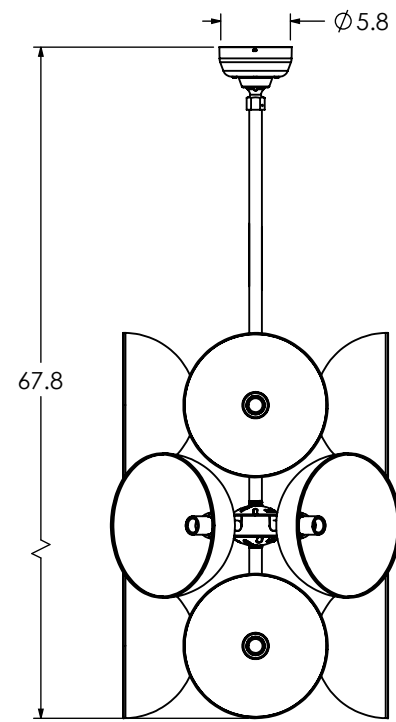
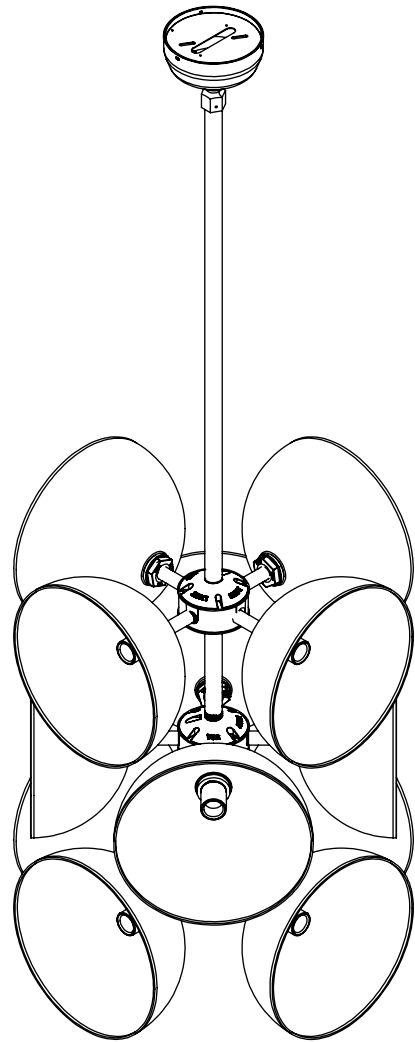
SPECIFICATIONS

GENERAL:

- Suitable for Dry Locations
- Made in USA, Manufactured and Hand-Crafted in Titusville, Florida
- UL Listed (US & Canada)

LIGHT SOURCE:

- E26 Medium Base Socket
- 60 Watt Max Per Socket



TOP VIEW



CUSTOM CHANDELIER: #68

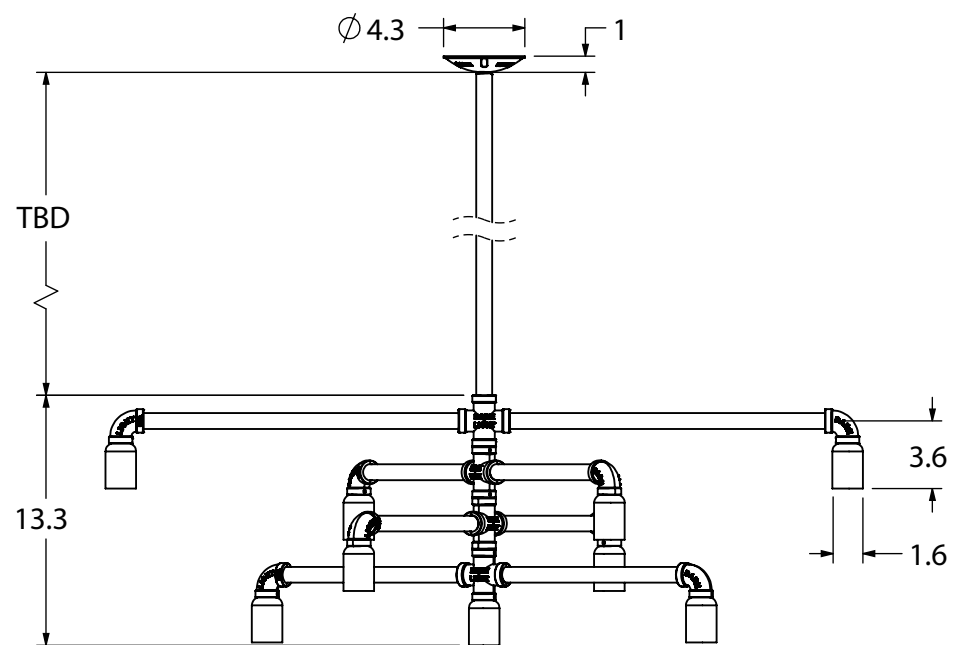
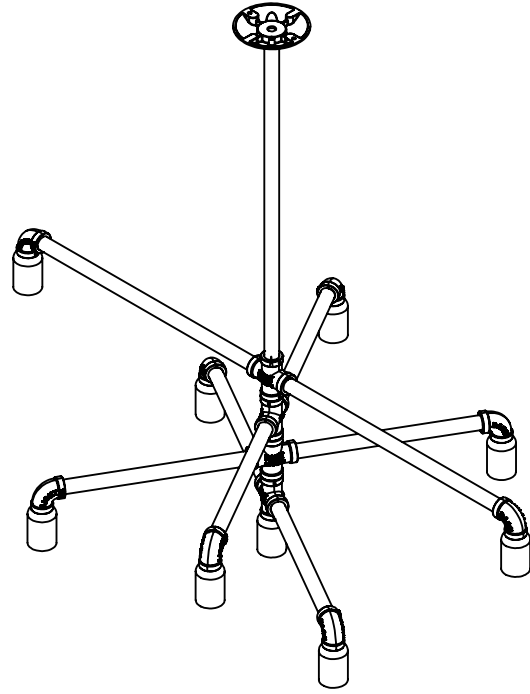
SPECIFICATIONS

GENERAL:

- Suitable for Dry Locations
- Made in USA, Manufactured and Hand-Crafted in Titusville, Florida
- Bulbs Supplied by Other

LIGHT SOURCE:

- 9 x E26 Medium Base Sockets
- 60 Watt Max Per Socket
- 120v Input



CUSTOM CHANDELIER: #81

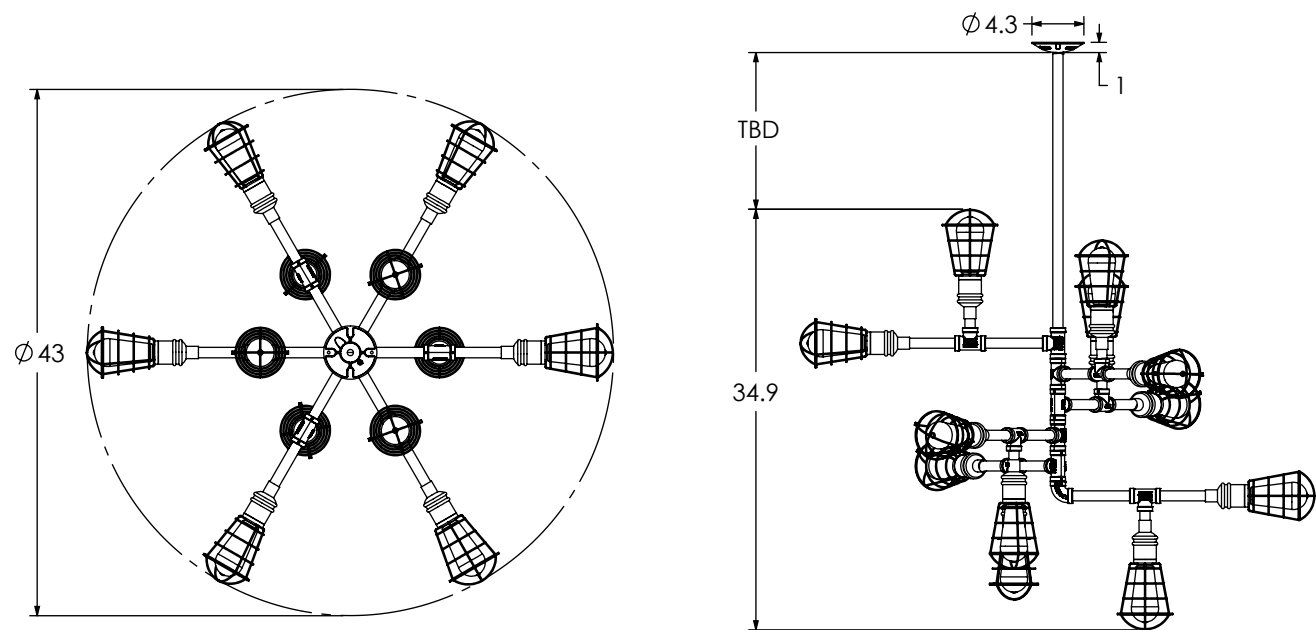
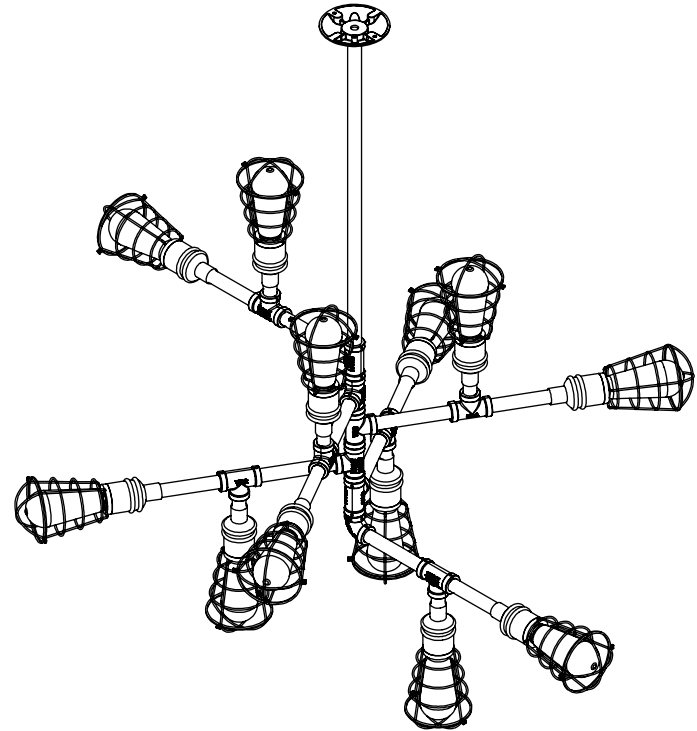
SPECIFICATIONS

GENERAL:

- Suitable for Dry Locations
- Made in USA, Manufactured and Hand-Crafted in Titusville, Florida

LIGHT SOURCE:

- 12 x E26 Medium Base Sockets
- 60 Watt Bulbs
- Bulbs Supplied by Other



CUSTOM CHANDELIER: #262

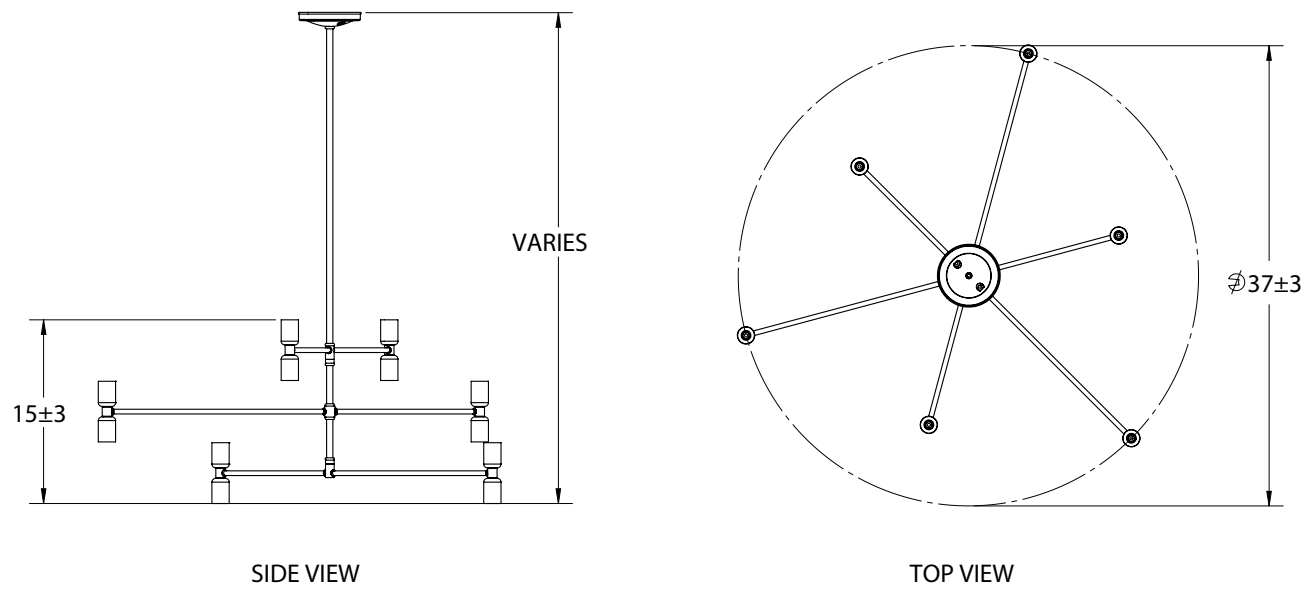
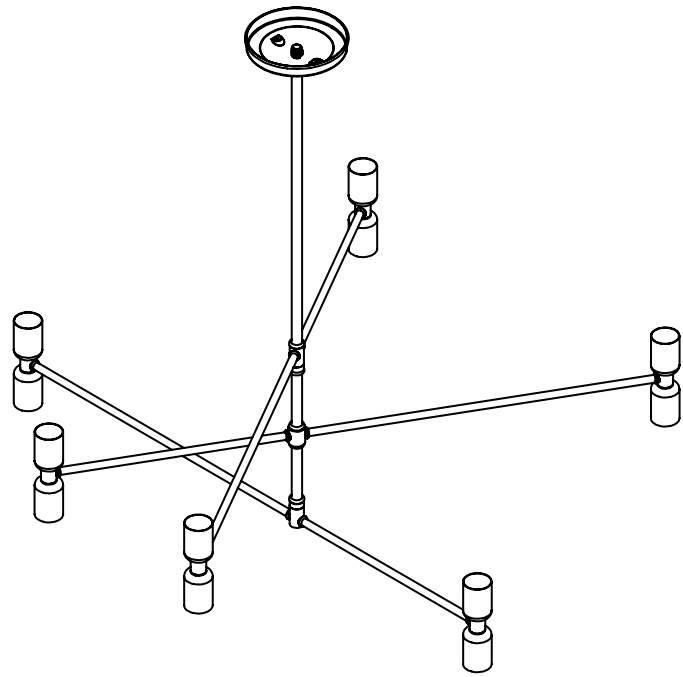
SPECIFICATIONS

GENERAL:

- CSA Listed for Dry Locations
- Made in USA, Manufactured and Hand-Crafted in Titusville, Florida
- Socket Cup, Hand-Spun from High Purity 3003-O Temper Aluminum

LIGHT SOURCE:

- E26 Medium Base Socket (x12)
- 50 Watt Max Per Socket
- Input Voltage: 120VAC



CUSTOM CHANDELIER: #253

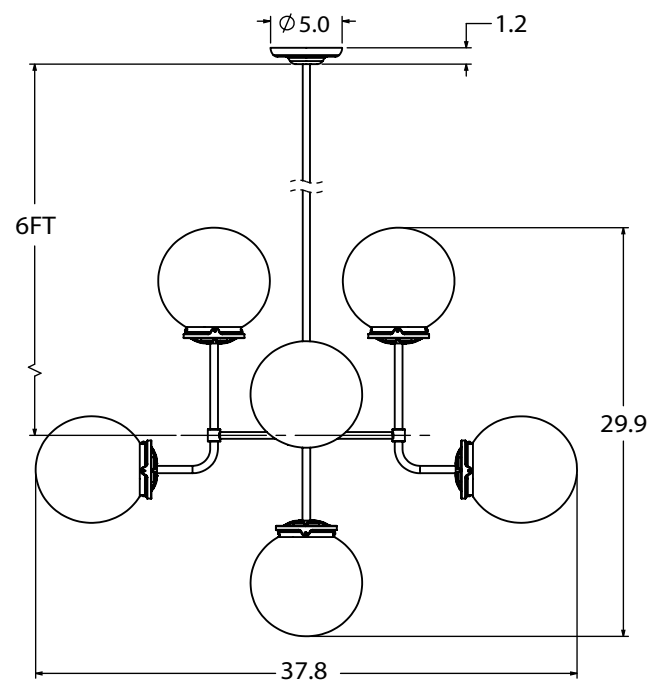
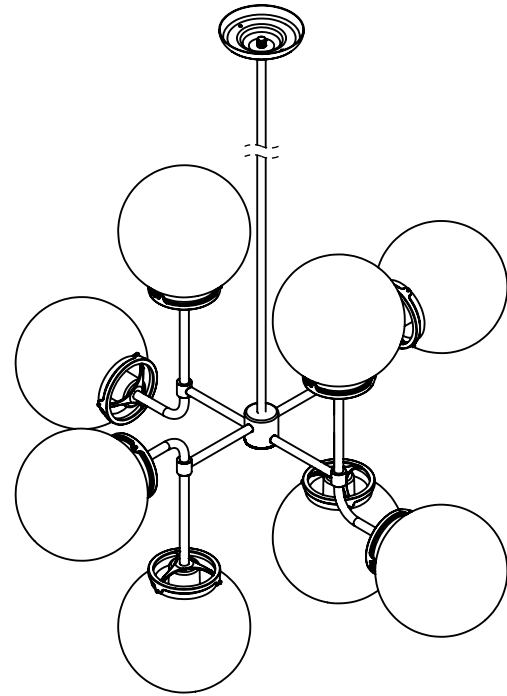
SPECIFICATIONS

GENERAL:

- Suitable for Damp Locations
- Made in USA, Manufactured and Hand-Crafted in Titusville, Florida
- UL Listed (US & Canada)
- Hand-Spun, High Purity 0.050" Thick 3003-O Temper Aluminum Socket Cup

LIGHT SOURCE:

- GU24 Medium Base Socket (X8)
- 75 Watt Max Per Socket



CUSTOM CHANDELIER: #244

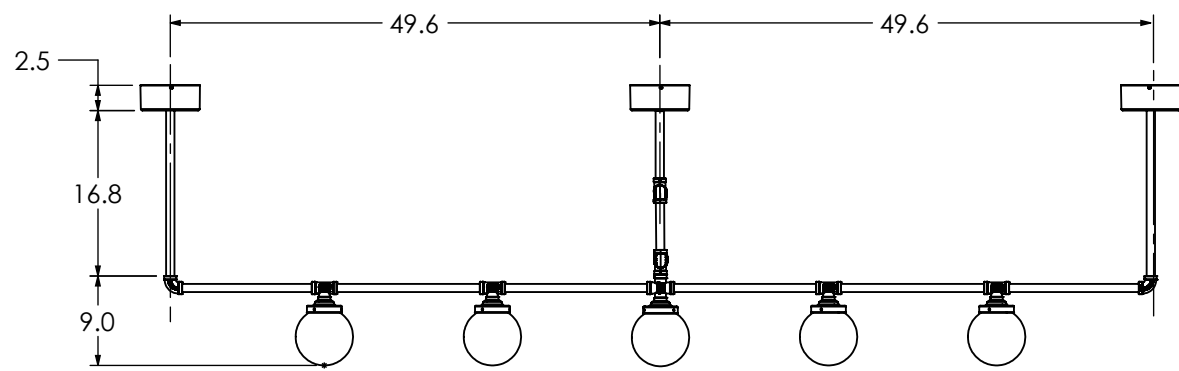
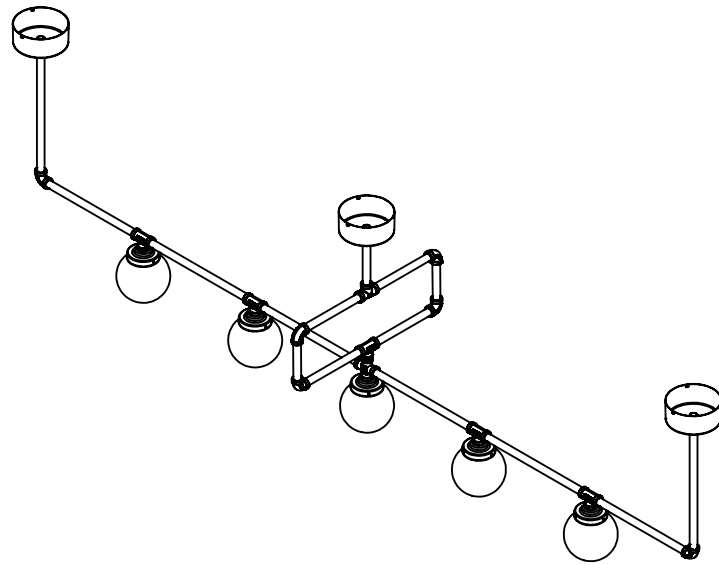
SPECIFICATIONS

GENERAL:

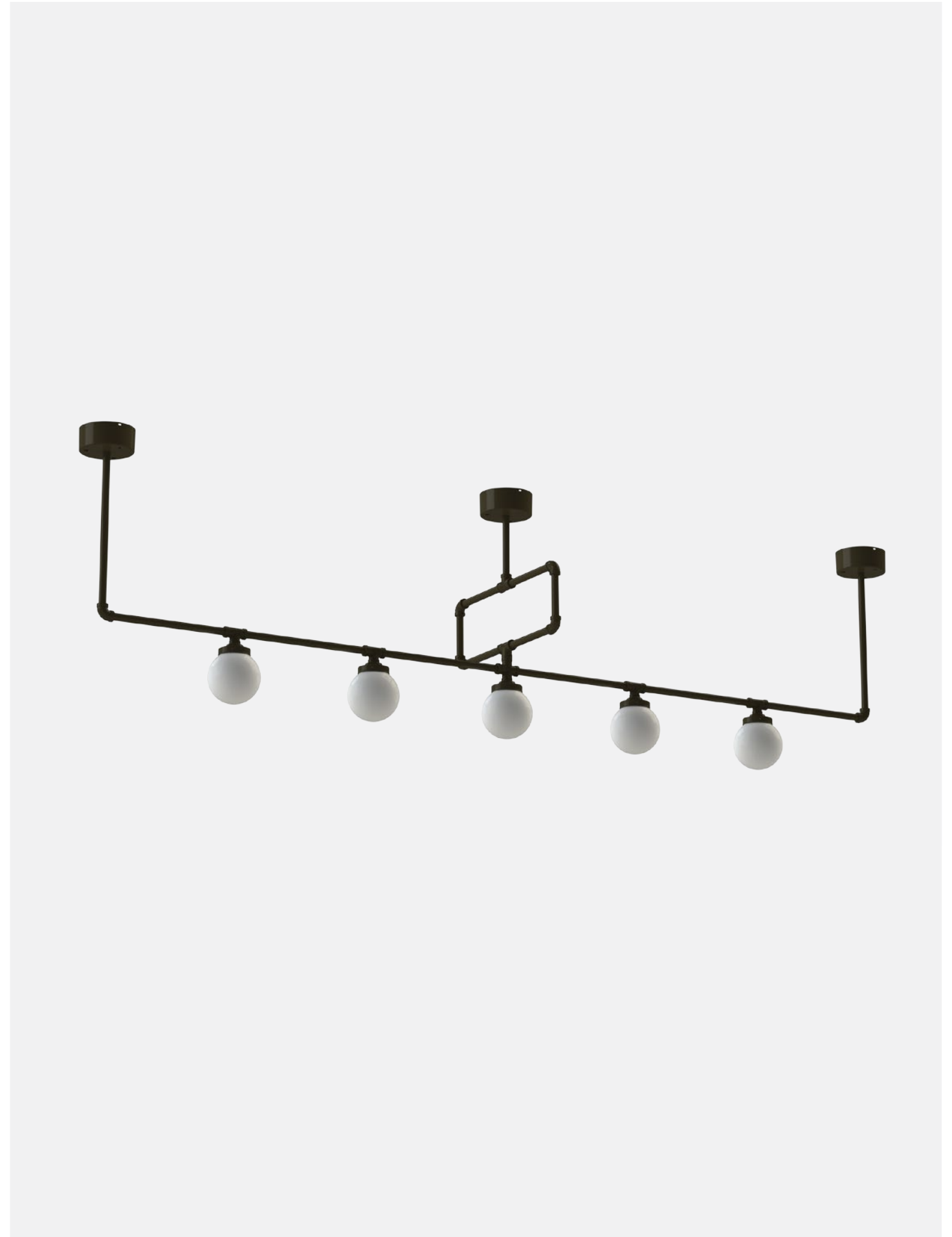
- Suitable for Damp Locations
- Made in USA, Manufactured and Hand-Crafted in Titusville, Florida
- UL Listed (US & Canada)
- Hand-Spun, High Purity 0.050" Thick 3003-O Temper Aluminum Canopy

LIGHT SOURCE:

- E26 Medium Base Socket
- 100 Watt Max Per Socket
- Centrally Powered Junction Box



FRONT VIEW



CUSTOM CHANDELIER: #175

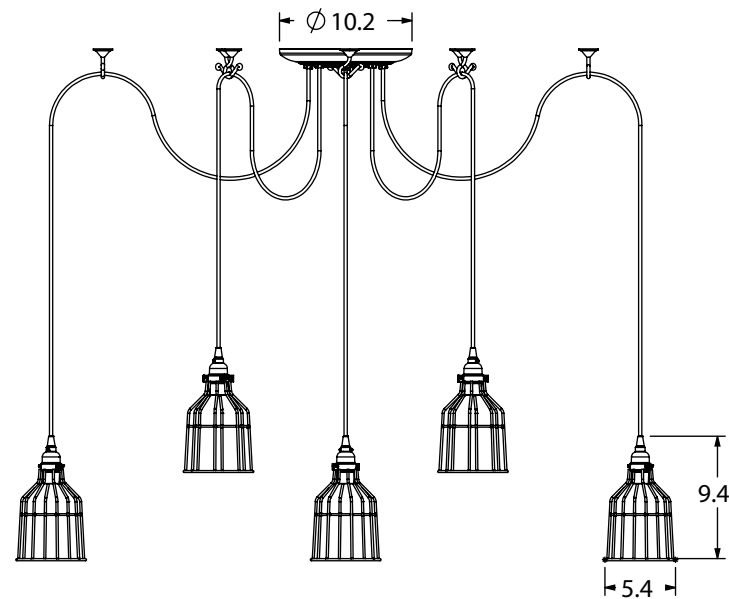
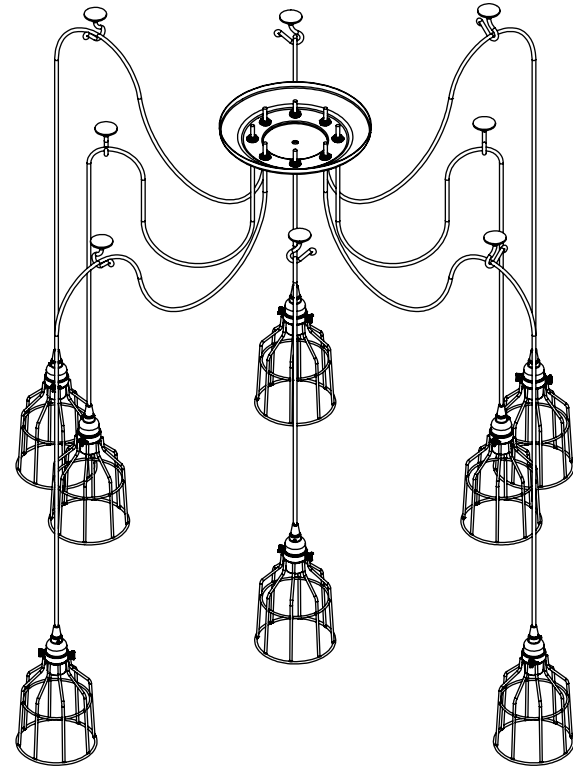
SPECIFICATIONS

GENERAL:

- Suitable for Damp Locations
- Made in USA, Manufactured and Hand-Crafted in Titusville, Florida
- UL Listed (US & Canada)

LIGHT SOURCE:

- E26 Medium Base Socket
- 60 Watt Max Per Socket



CUSTOM CHANDELIER: #237

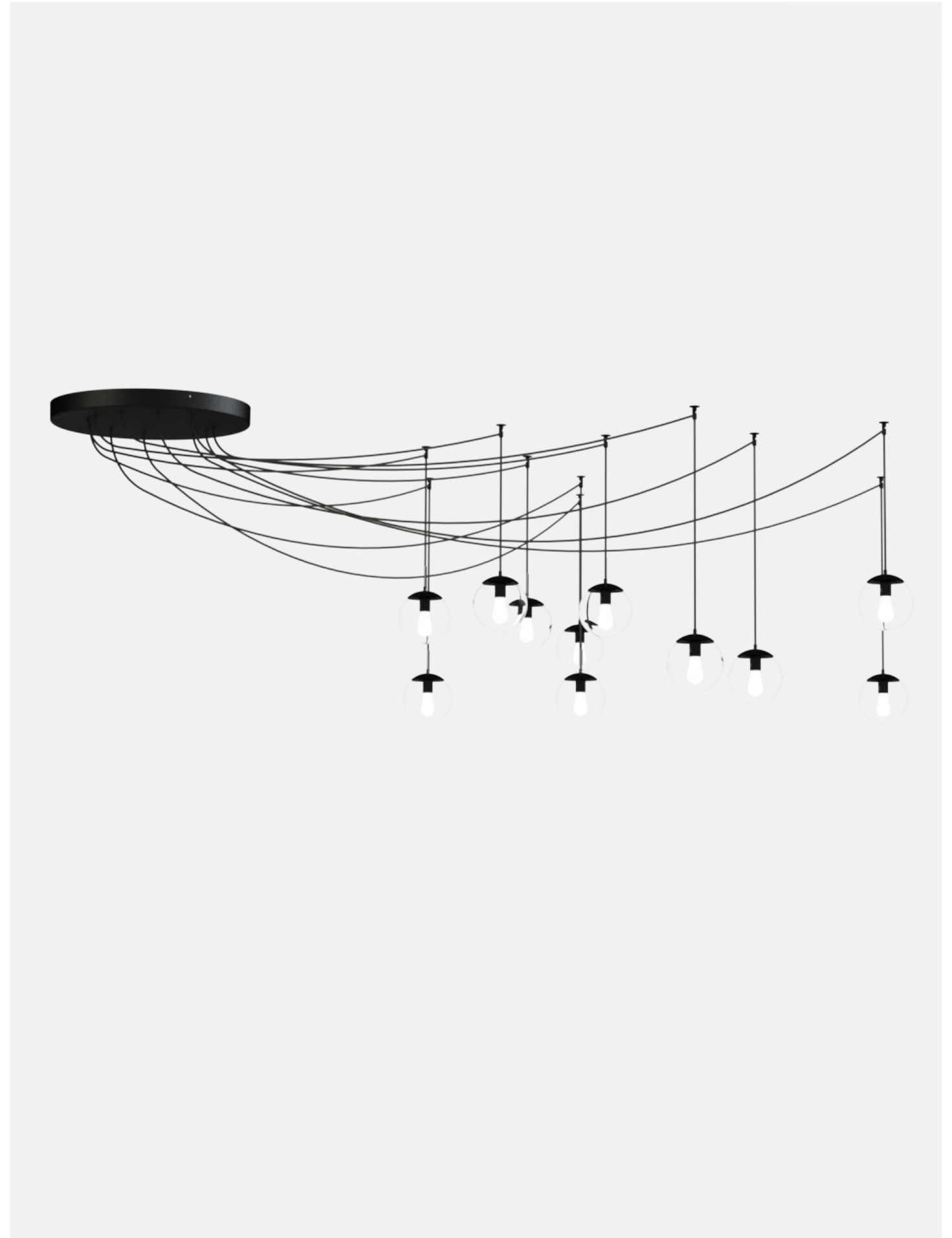
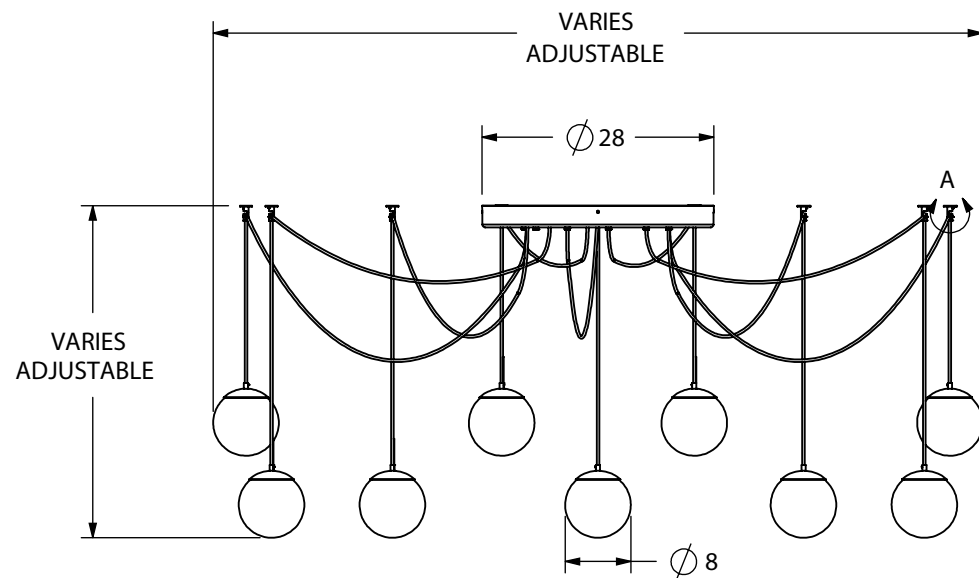
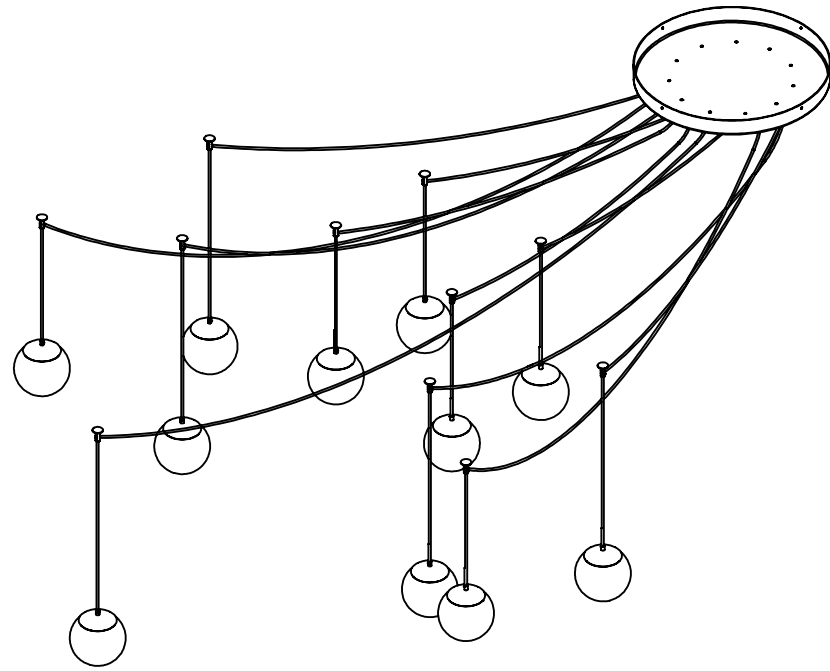
SPECIFICATIONS

GENERAL:

- Suitable for Dry Locations
- Made in USA, Manufactured and Hand-Crafted in Titusville, Florida
- 28" Hand-Spun, High Purity 0.050" Thick 3003-O Temper Aluminum Shade
- Light Positioning TBD by Customer

LIGHT SOURCE:

- E26 Medium Base Socket
- 60 Watt Max Per Socket



CUSTOM CHANDELIER: #71

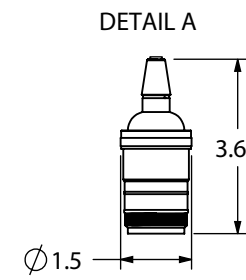
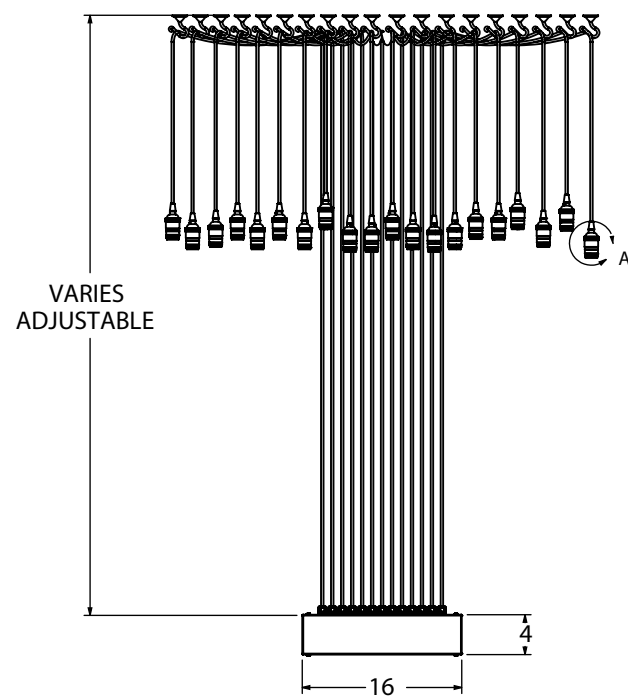
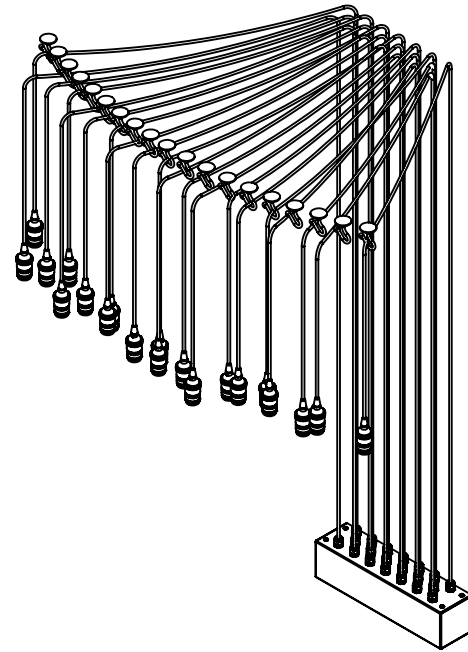
SPECIFICATIONS

GENERAL:

- Suitable for Dry Locations
- Made in USA, Manufactured and Hand-Crafted in Titusville, Florida

LIGHT SOURCE:

- E26 Medium Base Socket
- 200 Watt Max Per Socket
- 120v Supply Wires



CUSTOM CHANDELIER: #239

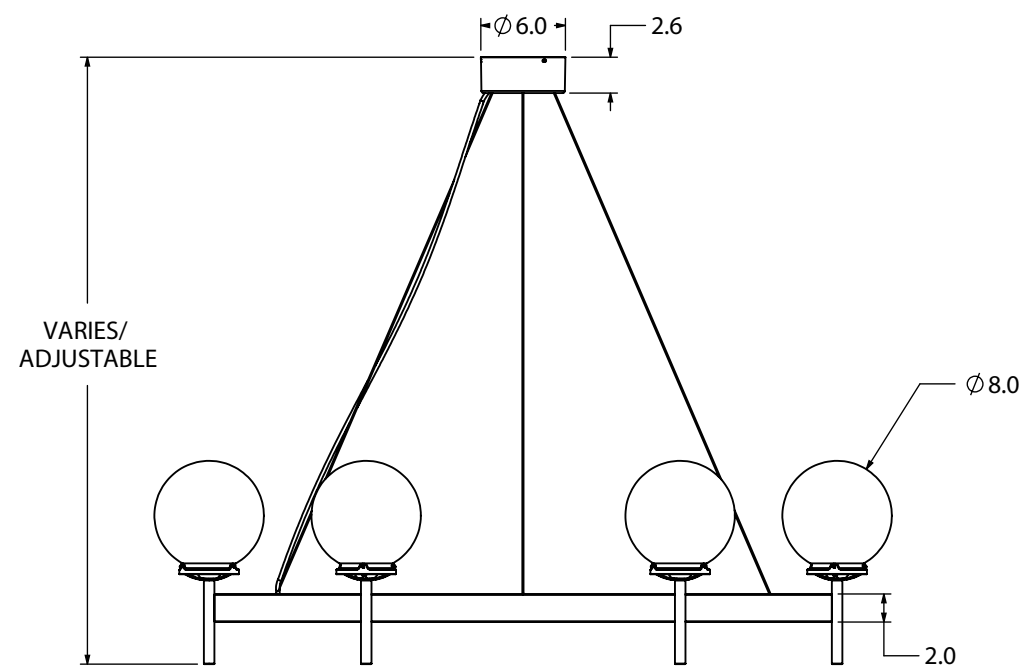
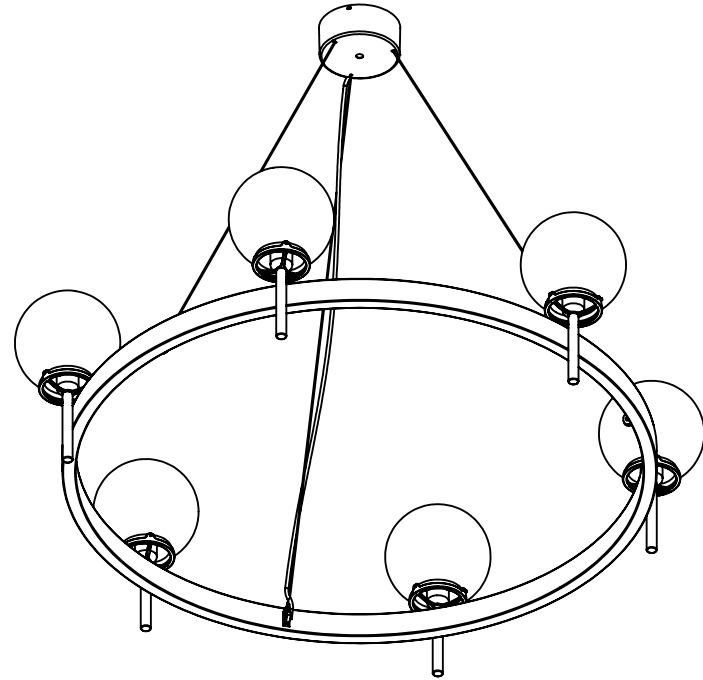
SPECIFICATIONS

GENERAL:

- Suitable for Damp Locations
- Made in USA, Manufactured and Hand-Crafted in Titusville, Florida
- UL Listed (US & Canada)
- Aluminum 6061 Tubing Ring

LIGHT SOURCE:

- 6x E26 Medium Base Sockets
- 60W Max Per Socket



CUSTOM CHANDELIER: #183

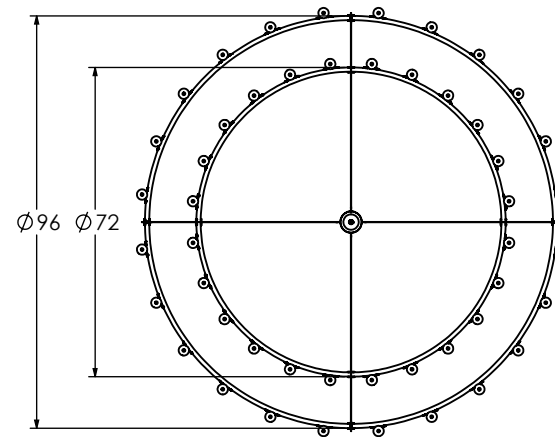
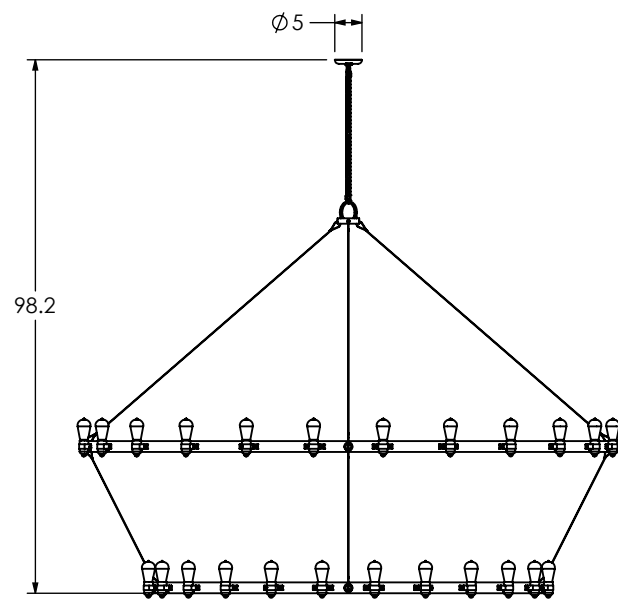
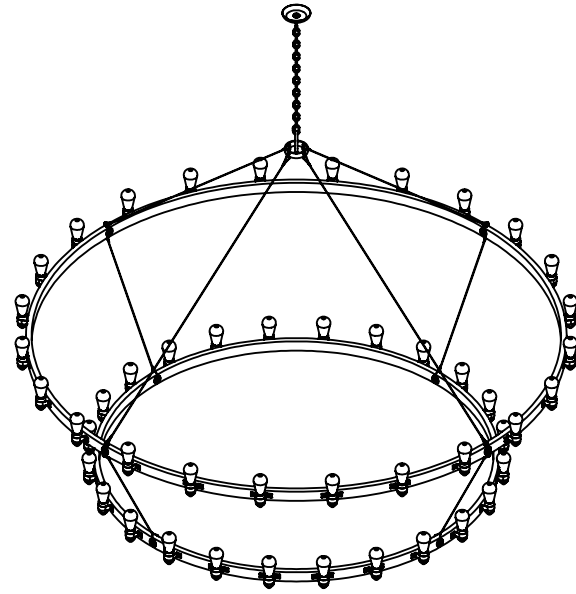
SPECIFICATIONS

GENERAL:

- Suitable for Dry Locations
- Made in USA, Manufactured and Hand-Crafted in Titusville, Florida
- UL Listed (US & Canada)

LIGHT SOURCE:

- (48) E26 Medium Base Sockets
- 10 Watt Max Per Socket



TOP VIEW



CUSTOM CHANDELIER: #110

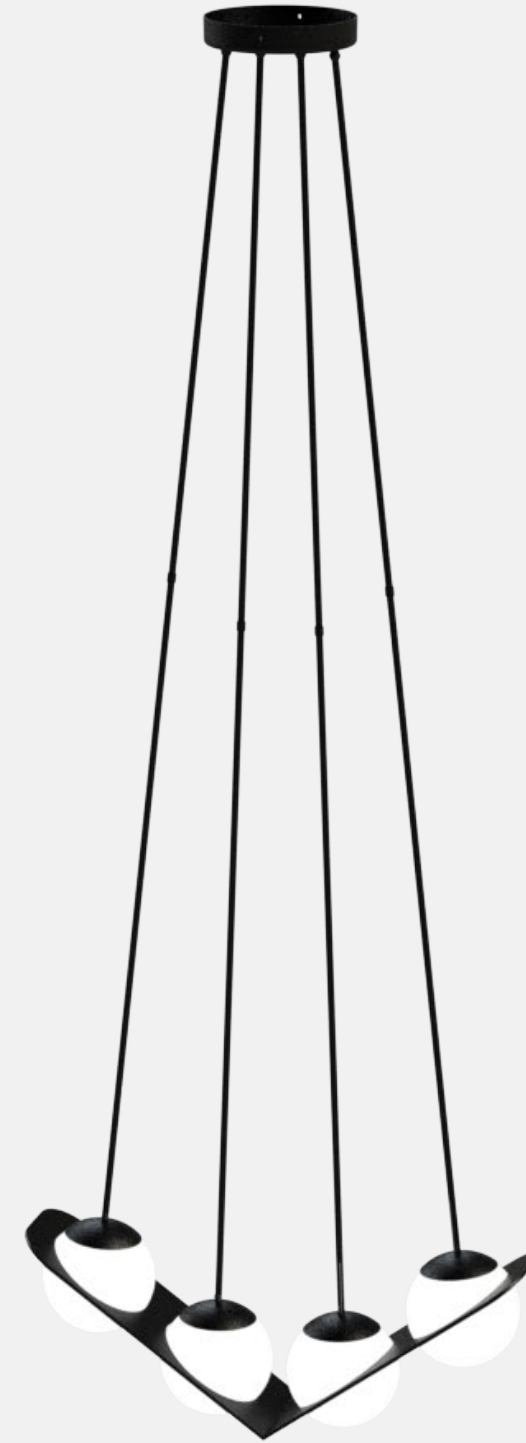
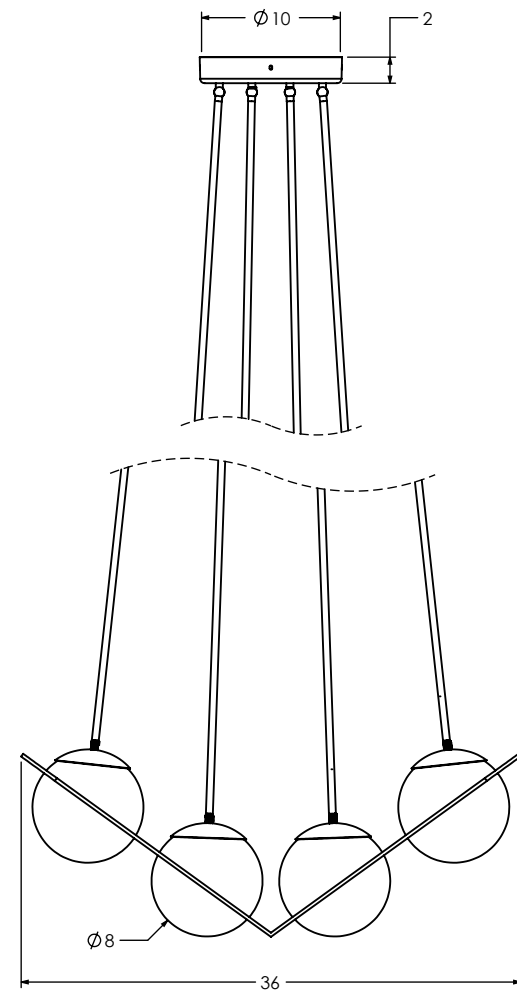
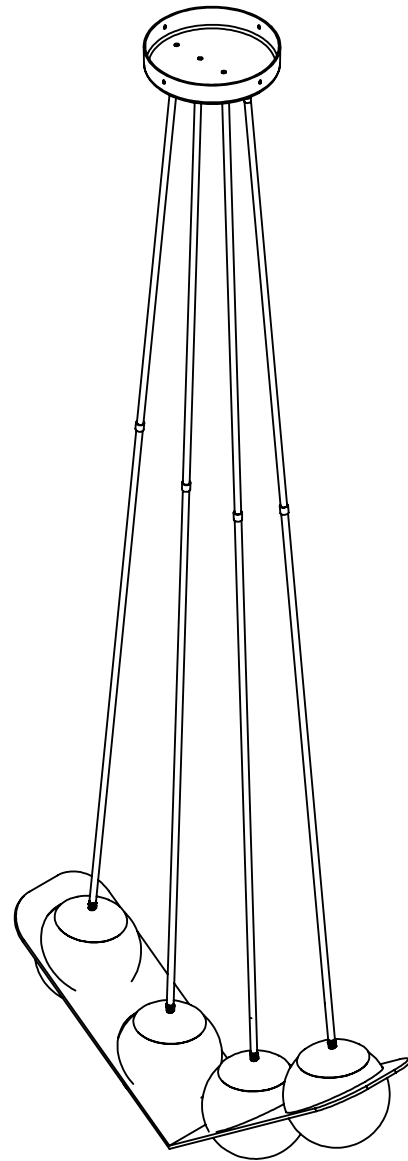
SPECIFICATIONS

GENERAL:

- Suitable for Dry Locations
- Made in USA, Manufactured and Hand-Crafted in Titusville, Florida

LIGHT SOURCE:

- E26 Medium Base Socket
- 60 Watt Max



CUSTOM CHANDELIER: #257

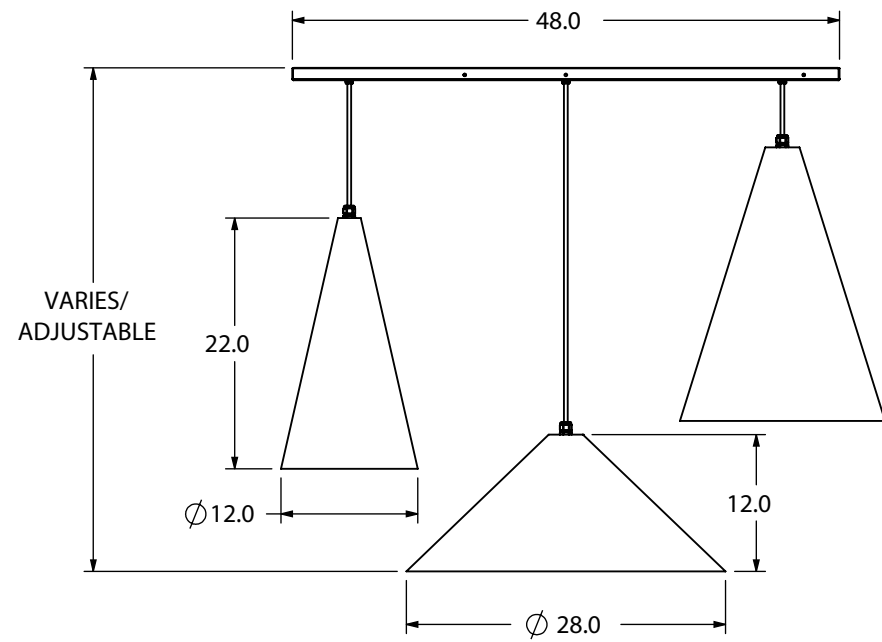
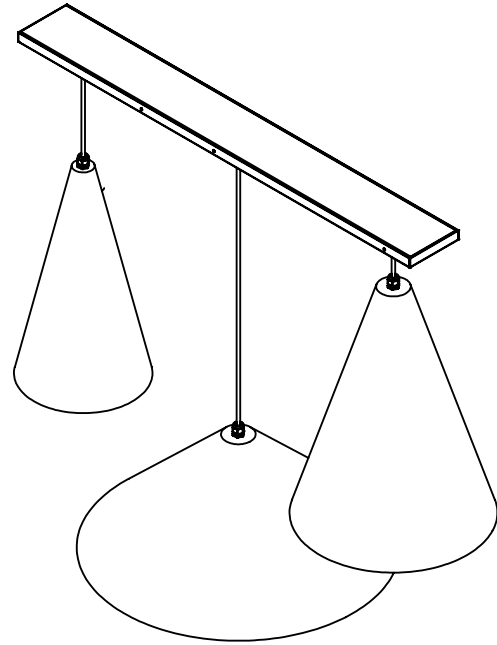
SPECIFICATIONS

GENERAL:

- Suitable for Damp Locations
- Made in USA, Manufactured and Hand-Crafted in Titusville, Florida
- CSA Listed (US and Canada)
- Hand-Spun, High Purity 0.050" Thick 3003-O Temper Aluminum Shade

LIGHT SOURCE:

- E26 Medium Base Socket
- 100 Watt Max Per Socket



CUSTOM CHANDELIER: #234

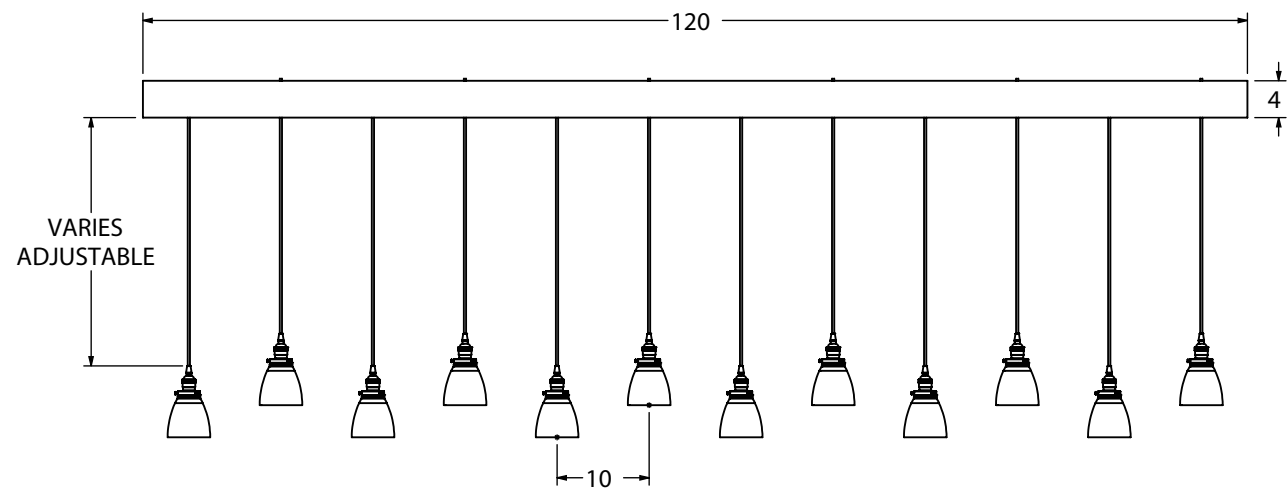
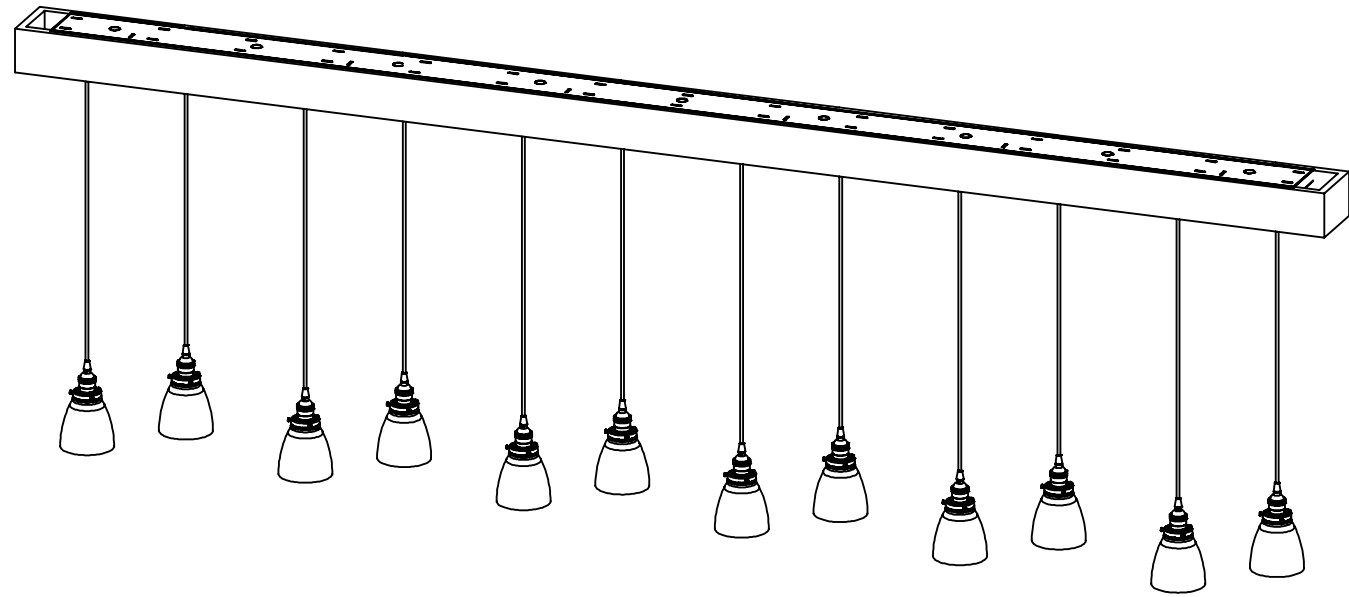
SPECIFICATIONS

GENERAL:

- Suitable for Dry Locations
- Made in USA, Manufactured and Hand-Crafted in Titusville, Florida
- 10' x 6" x 4" Wood Beam Cover

LIGHT SOURCE:

- E26 Medium Base Socket
- 10W Max per Bulb
- 120v Supply Wires



CUSTOM CHANDELIER: #220

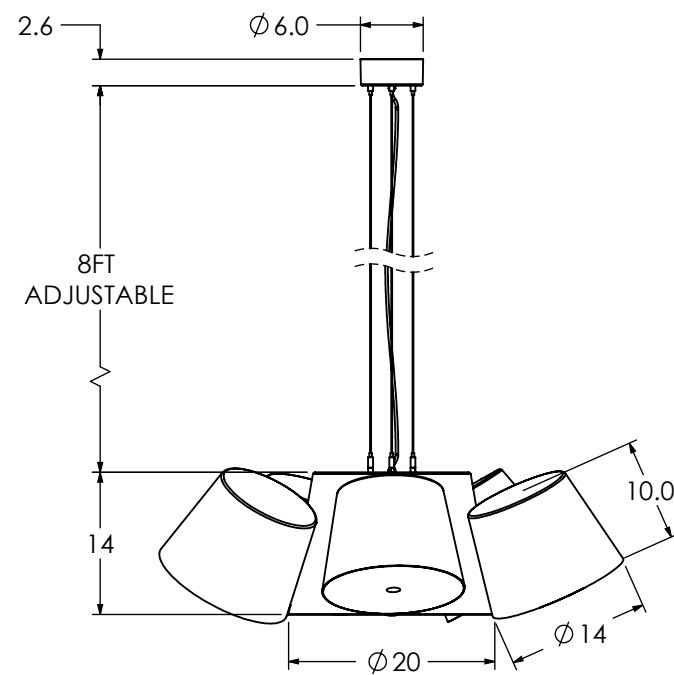
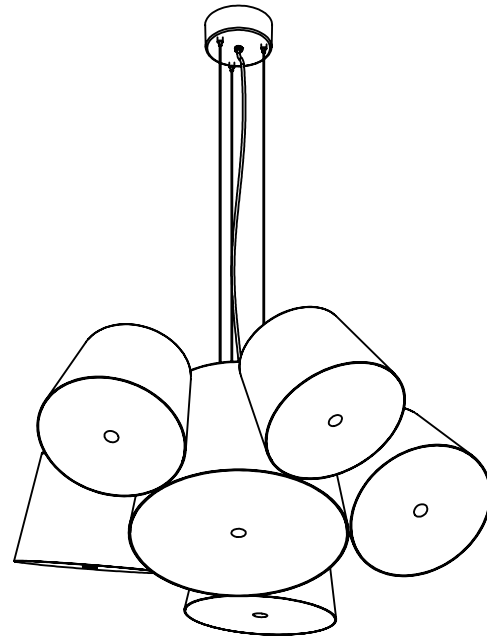
SPECIFICATIONS

GENERAL:

- Suitable for Damp Locations
- Made in USA, Manufactured and Hand-Crafted in Titusville, Florida
- CSA Listed (US & Canada)
- Hand-Spun, High Purity 0.050" Thick 3003-O Temper Aluminum Shade
- Studio-Cable: 3X 3/32" Galvanized Steel Wire

LIGHT SOURCE:

- E26 LED Type A Base (X13)
- 20 Watt Max Per Socket



CUSTOM CORD HUNG PENDANT: #213

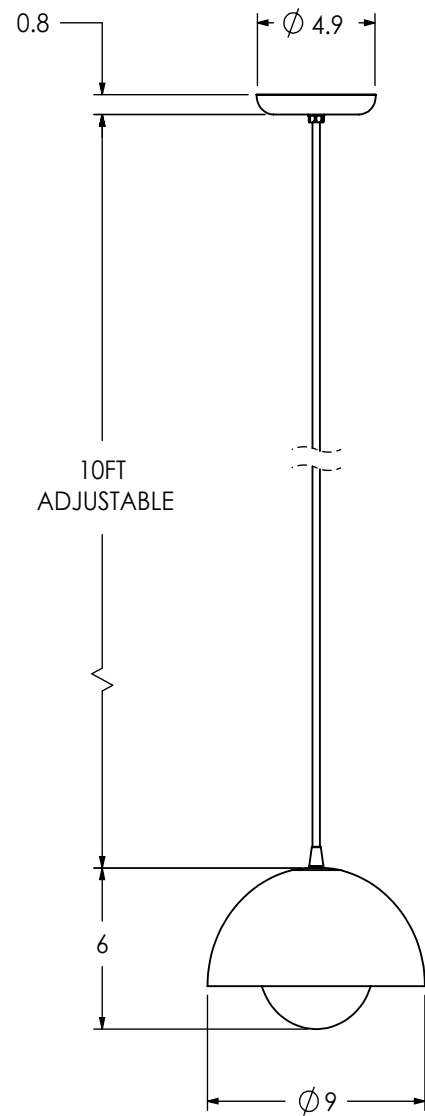
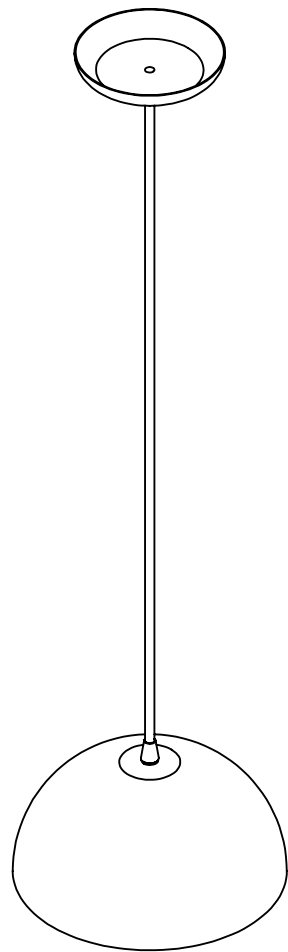
SPECIFICATIONS

GENERAL:

- Suitable for Damp Locations
- Made in USA, Manufactured and Hand-Crafted in Titusville, Florida
- UL Listed (US & Canada)
- Hand-Spun, High Purity 0.050" Thick 3003-O Temper Aluminum Canopy

LIGHT SOURCE:

- E26 Medium Base Socket
- 100 Watt Max Per Socket



CUSTOM CORD HUNG PENDANT: #141

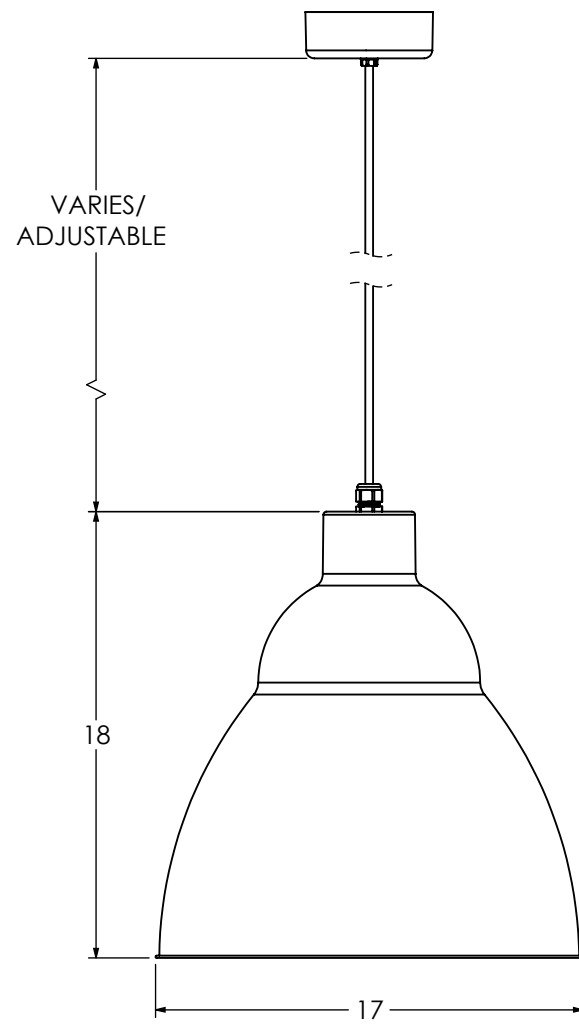
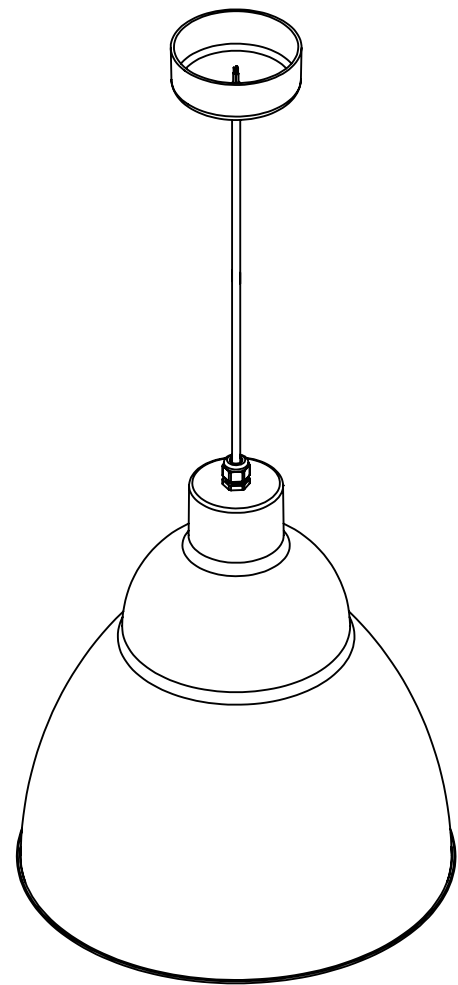
SPECIFICATIONS

GENERAL:

- Suitable for Damp Locations - Cord Dependent
- Made in USA, Manufactured and Hand-Crafted in Titusville, Florida
- CSA Listed (US & Canada) - Cord Dependent

LIGHT SOURCE:

- Initial Lumens Delivered: Up to 2000 Lumens
- CCT: 3000K
- Minimum 90 CRI (Consult factory for other CRI options)



CUSTOM CORD HUNG PENDANT: #222

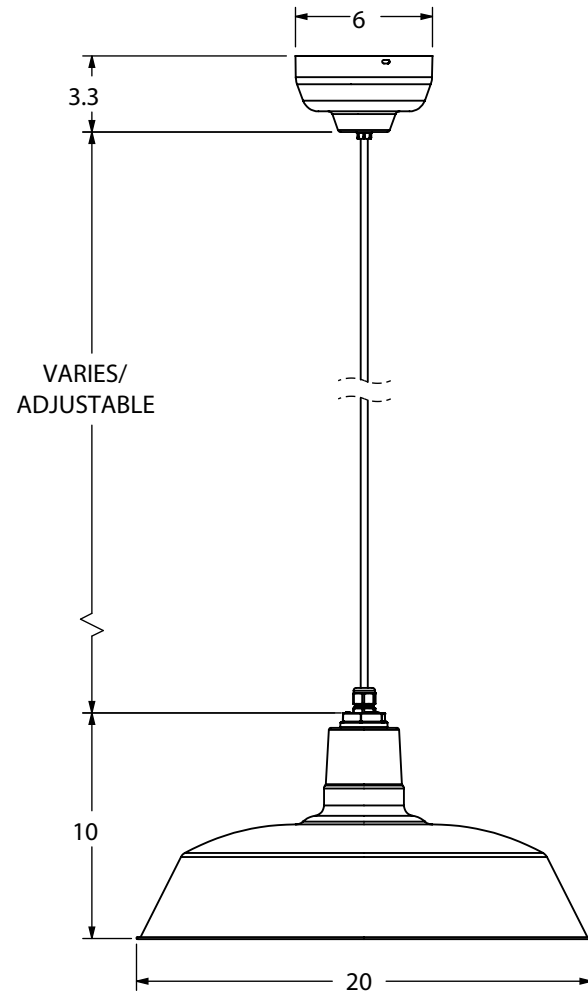
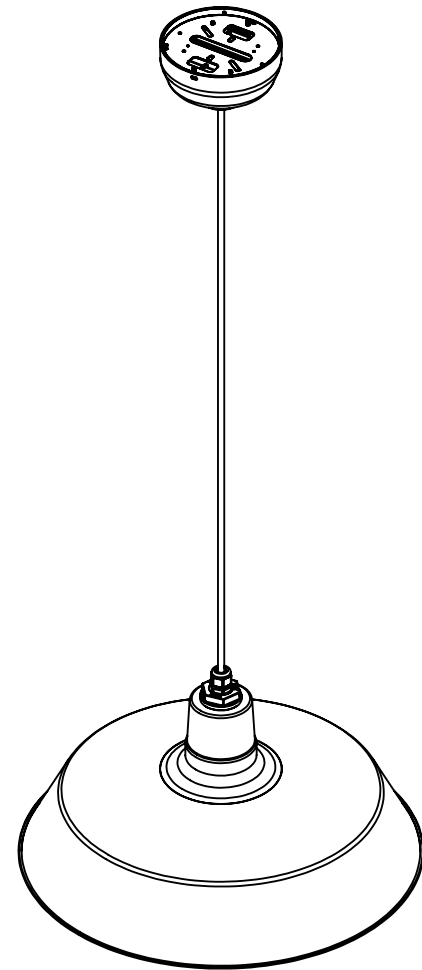
SPECIFICATIONS

GENERAL:

- Suitable for Damp Locations
- Made in USA, Manufactured and Hand-Crafted in Titusville, Florida
- UL Listed (US & Canada)
- Hand-Spun, High Purity 0.050" Thick 3003-O Temper Aluminum Shade

LIGHT SOURCE:

- E26 Medium Base Socket
- 100 Watt Max Per Socket



CUSTOM CORD HUNG PENDANT: #240

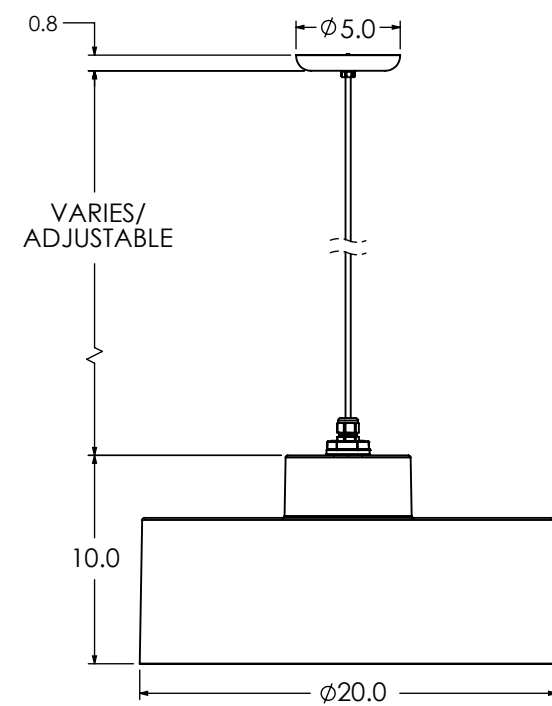
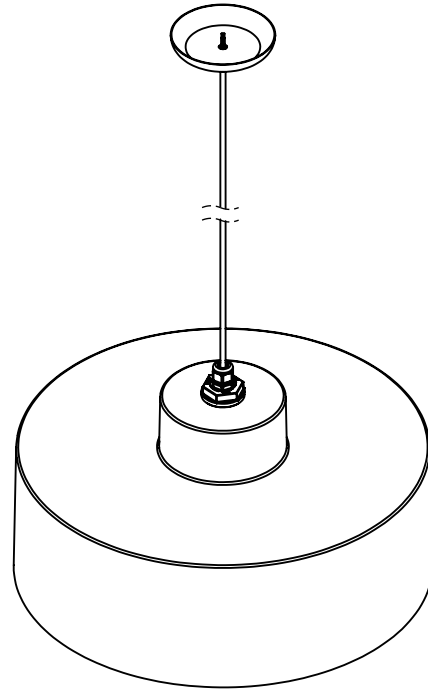
SPECIFICATIONS

GENERAL:

- Suitable for Wet Locations
- Made in USA, Manufactured and Hand-Crafted in Titusville, Florida
- CSA Listed (US and Canada)
- Hand-Spun, High Purity 0.050" Thick 3003-O Temper Aluminum Shade and Canopy

LIGHT SOURCE:

- E26 Medium Base Socket
- 200 Watt Max Per Socket



CUSTOM CORD HUNG PENDANT: #251

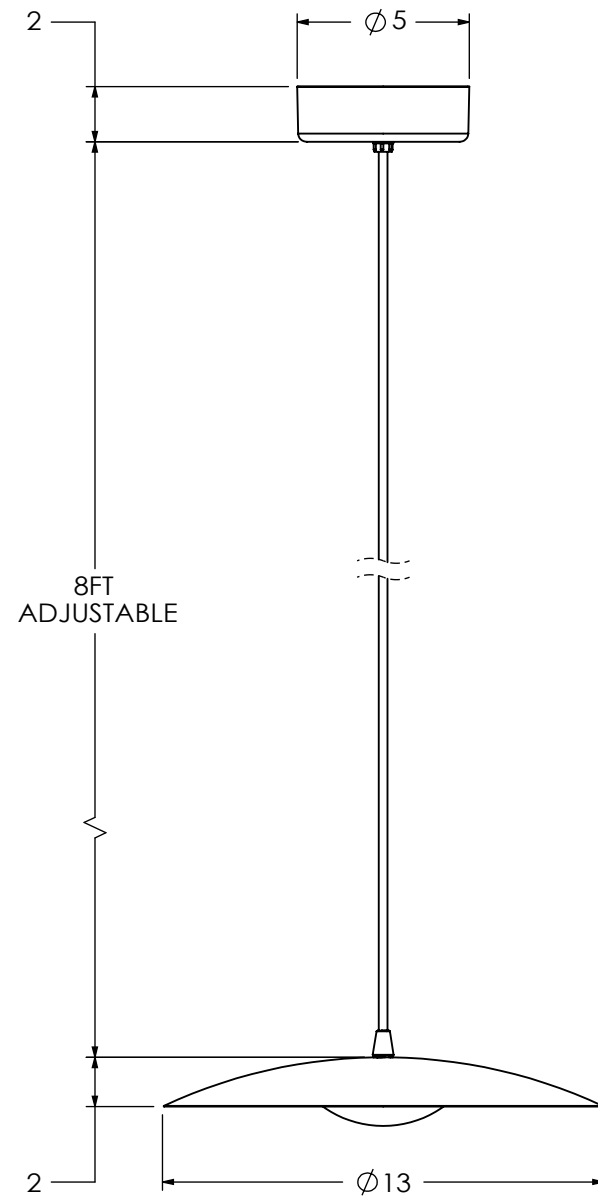
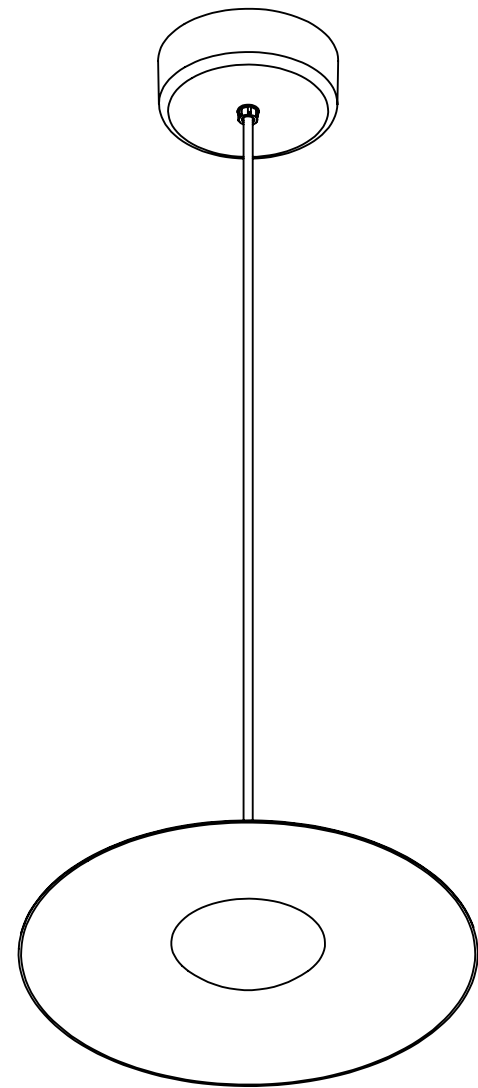
SPECIFICATIONS

GENERAL:

- Suitable for Damp Locations
- Made in USA, Manufactured and Hand-Crafted in Titusville, Florida
- CSA Listed (US and Canada)
- Hand-Spun, High Purity 0.050" Thick 3003-O Temper Aluminum Shade

LIGHT SOURCE:

- 2700K, 90 CRI - Integrated LED
- Luminaire - 350 Lumens Delivered
- Lamp Source - Lumens TBD



CUSTOM CORD HUNG PENDANT: #241

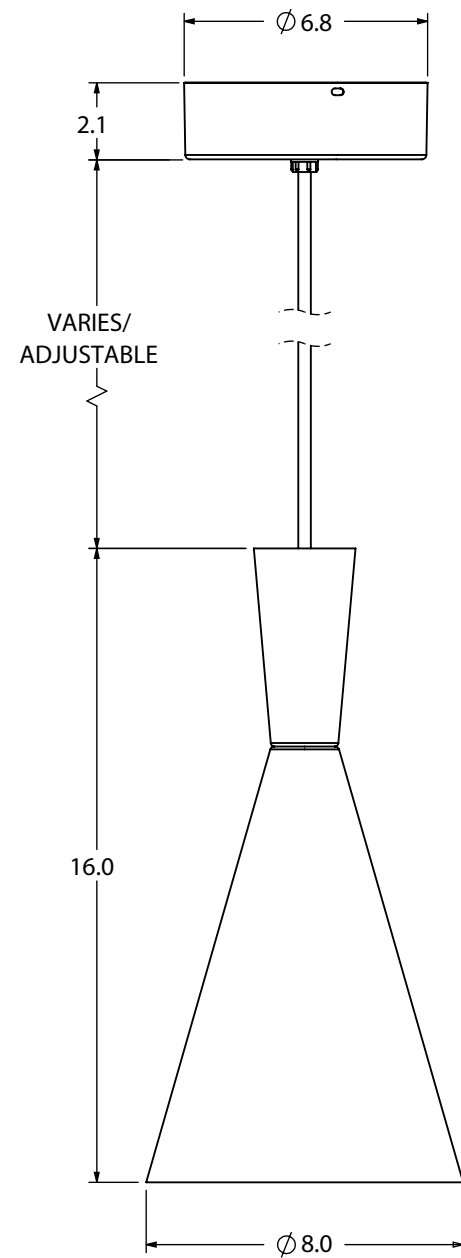
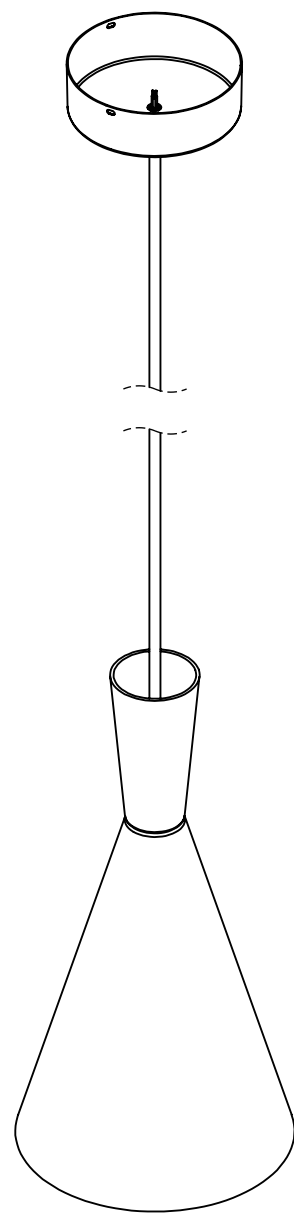
SPECIFICATIONS

GENERAL:

- Suitable for Dry Locations
- Made in USA, Manufactured and Hand-Crafted in Titusville, Florida
- UL Listed (US & Canada)
- Hand-Spun, High Purity 0.050" Thick 3003-O Temper Aluminum Shade

LIGHT SOURCE:

- E26 Medium Base Socket
- 100 Watt Max Per Socket



CUSTOM CORD HUNG PENDANT: #249

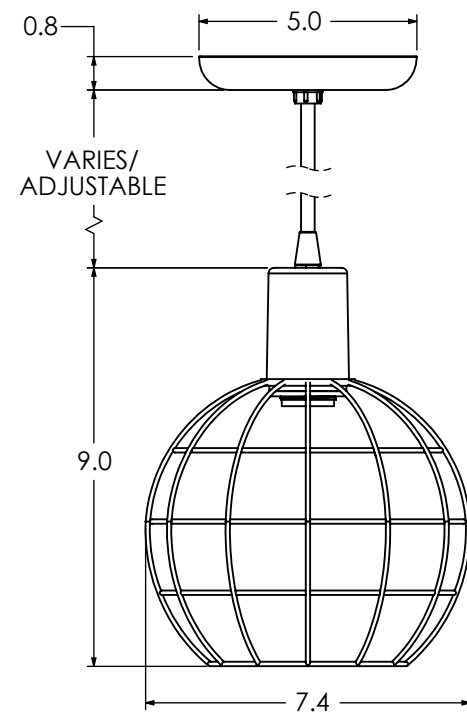
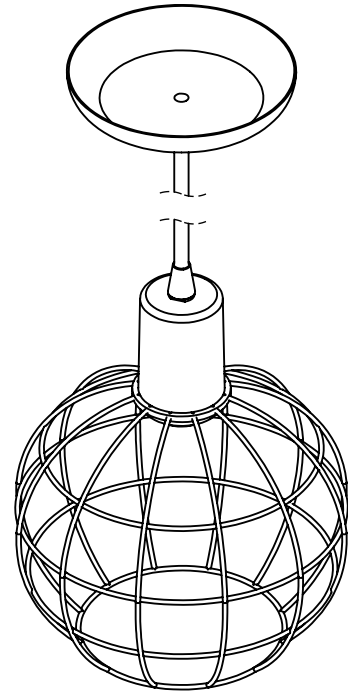
SPECIFICATIONS

GENERAL:

- Suitable for Damp Locations
- Made in USA, Manufactured and Hand-Crafted in Titusville, Florida
- CSA Listed (US and Canada)
- Hand-Spun, High Purity 0.050" Thick 3003-O Temper Aluminum Canopy

LIGHT SOURCE:

- E26 Medium Base Socket
- 60 Watt Max Per Socket



CUSTOM CORD HUNG PENDANT: #113

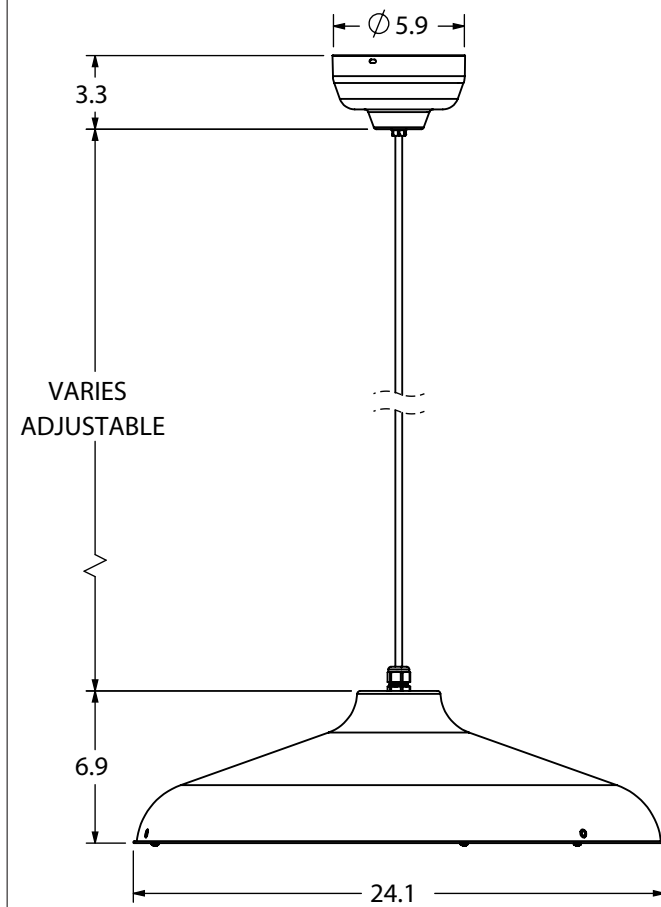
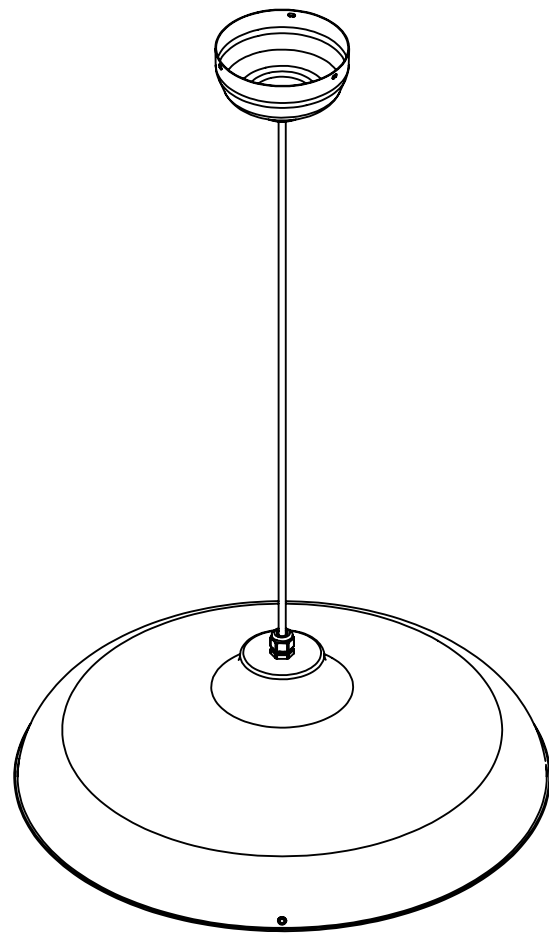
SPECIFICATIONS

GENERAL:

- CSA Listed (US and Canada) for Damp Locations
- Made in USA, Manufactured and Hand-Crafted in Titusville, Florida
- 24" Hand-Spun, High Purity 0.050" Thick 3003-O Temper Aluminum Shade

LIGHT SOURCE:

- Initial Lumens Delivered: Up to 1600 Lumens
- Minimum 90 CRI (Consult factory for other CRI options)
- Input Voltage: Universal 120-277V with 0-10V or TRIAC Dimming



CUSTOM CORD HUNG PENDANT: #128

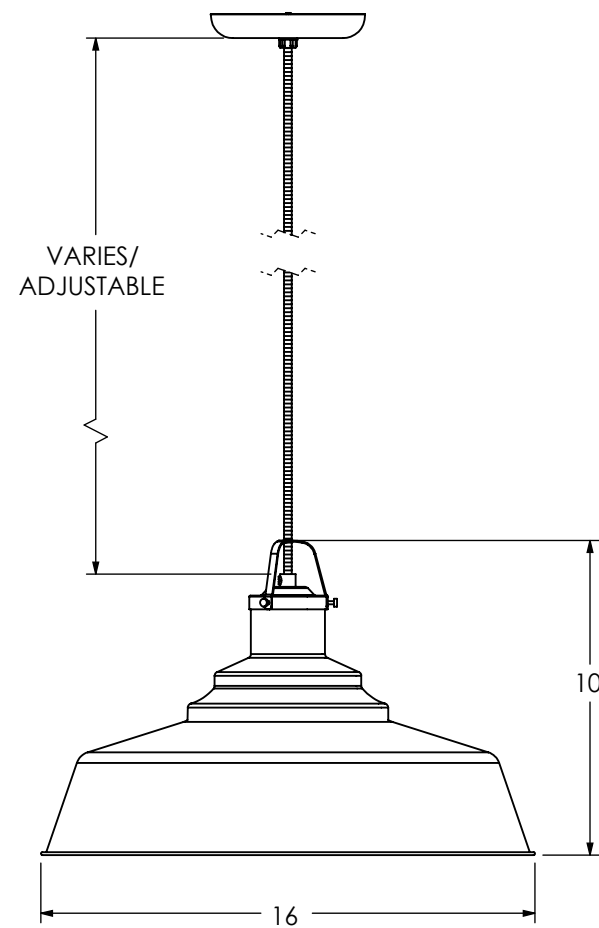
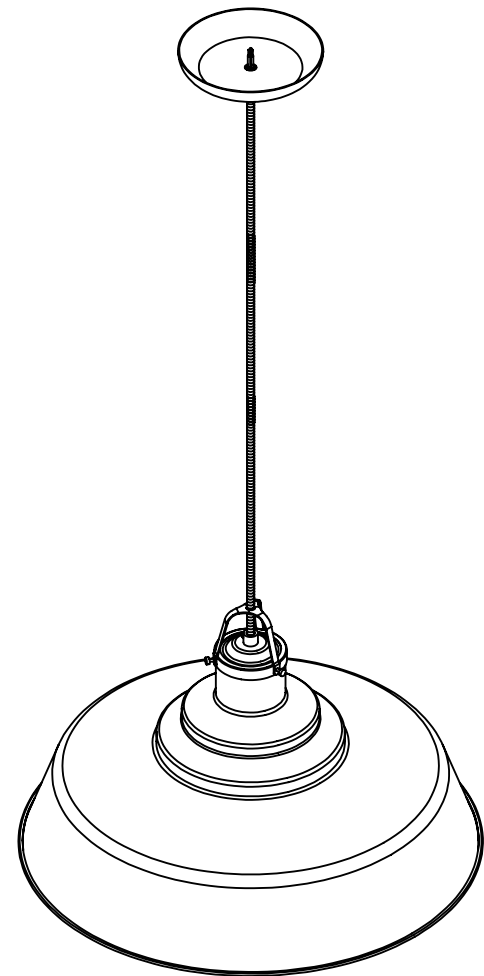
SPECIFICATIONS

GENERAL:

- Suitable for Dry Locations
- Made in USA, Manufactured and Hand-Crafted in Titusville, Florida
- CSA Listed (US & Canada)

LIGHT SOURCE:

- GU24 Medium Base Socket
- 9 Watt Max Per Socket



CUSTOM STUDIO LIGHT: #112

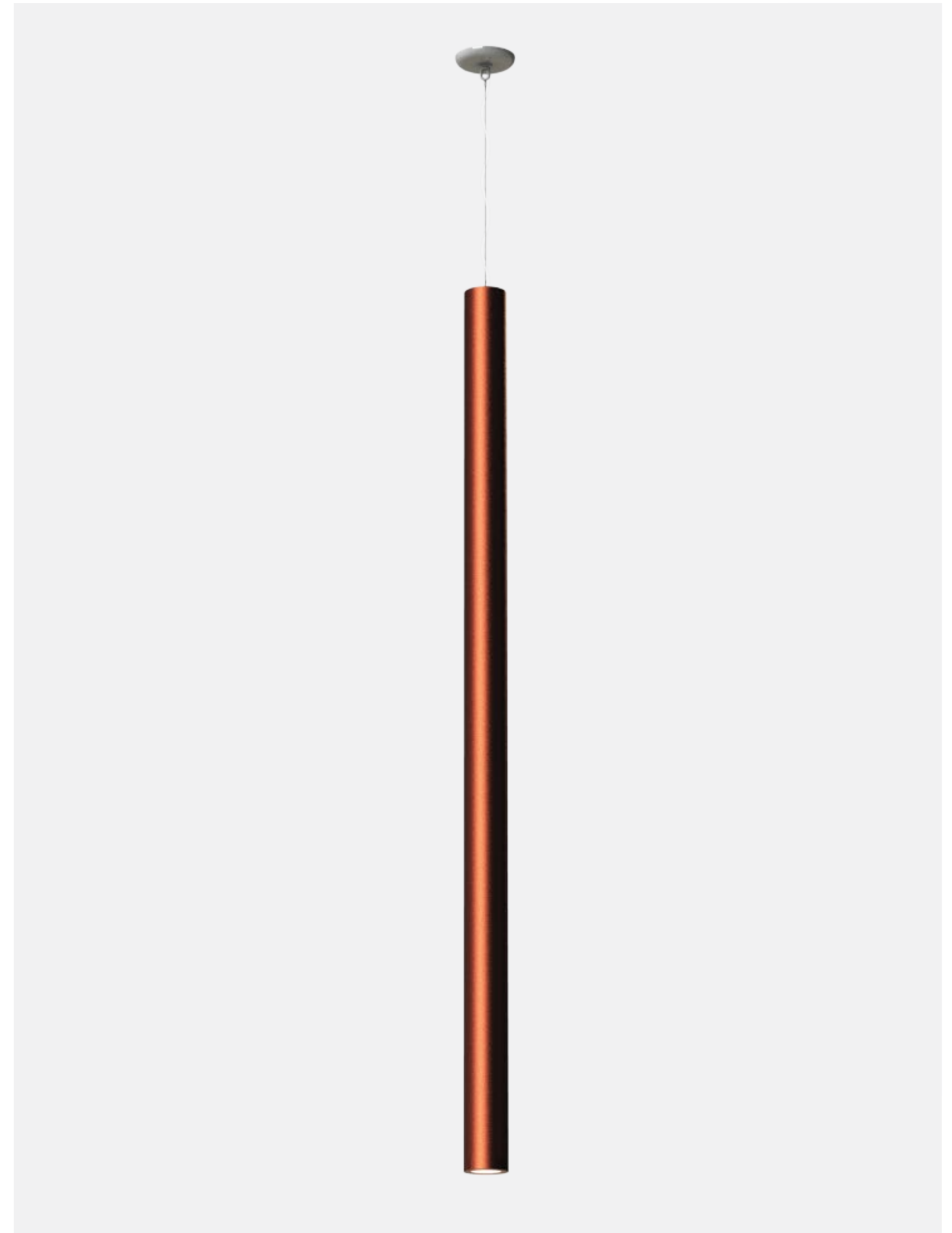
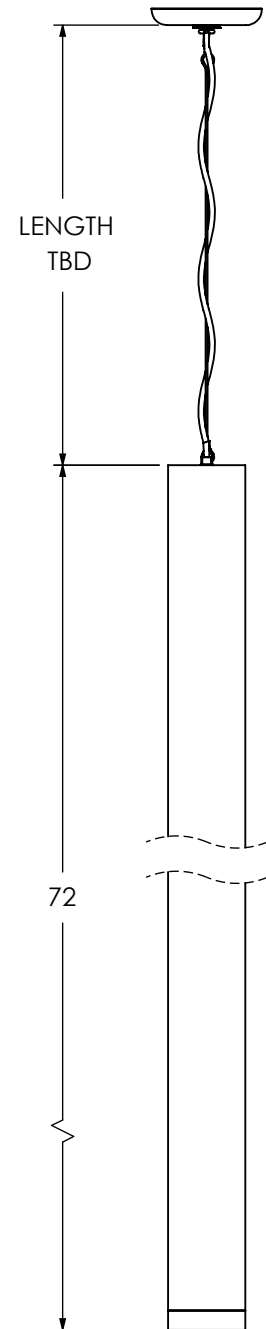
SPECIFICATIONS

GENERAL:

- Suitable for Dry Locations
- Made in USA, Manufactured and Hand-Crafted in Titusville, Florida
- CSA Listed (US & Canada)

LIGHT SOURCE:

- 1300 Lumen LED
- CCT: To Be Determined
- Optic w/ 40 Degree Projection Beam
- 0-10V Dimming



CUSTOM STUDIO LIGHT: #236

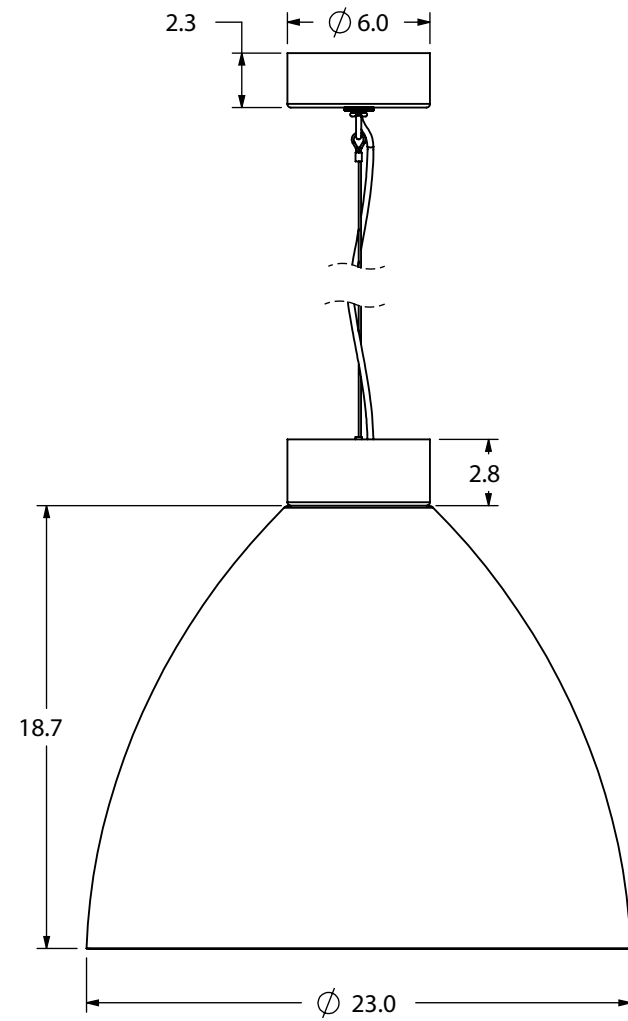
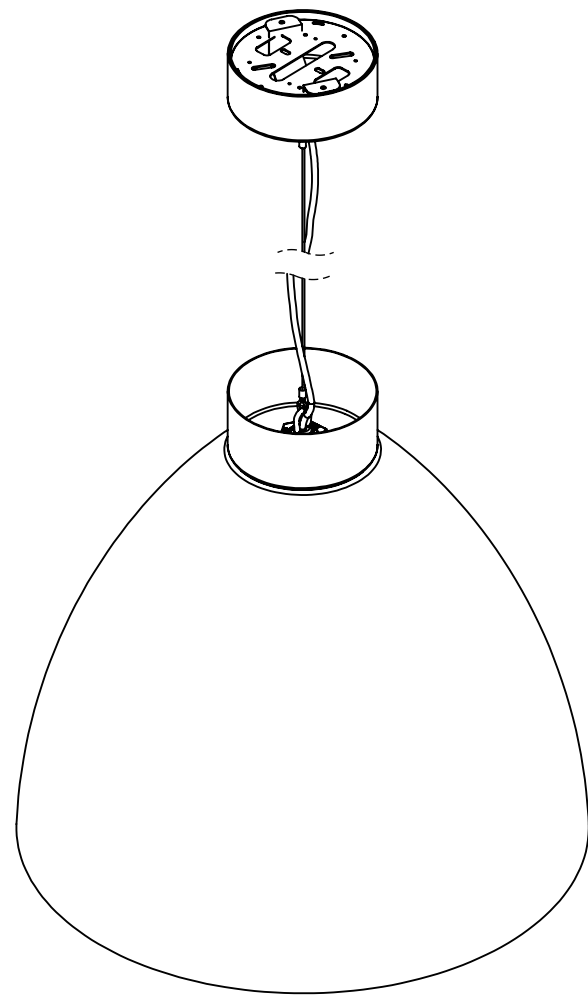
SPECIFICATIONS

GENERAL:

- Suitable for Damp Locations
- Made in USA, Manufactured and Hand-Crafted in Titusville, Florida
- CSA Listed (US and Canada)
- Hand-Spun, High Purity 0.050" Thick 3003-O Temper Aluminum Shade and Canopy

LIGHT SOURCE:

- E26 Medium Base Socket
- 200 Watt Max Per Socket



CUSTOM STUDIO LIGHT: #229

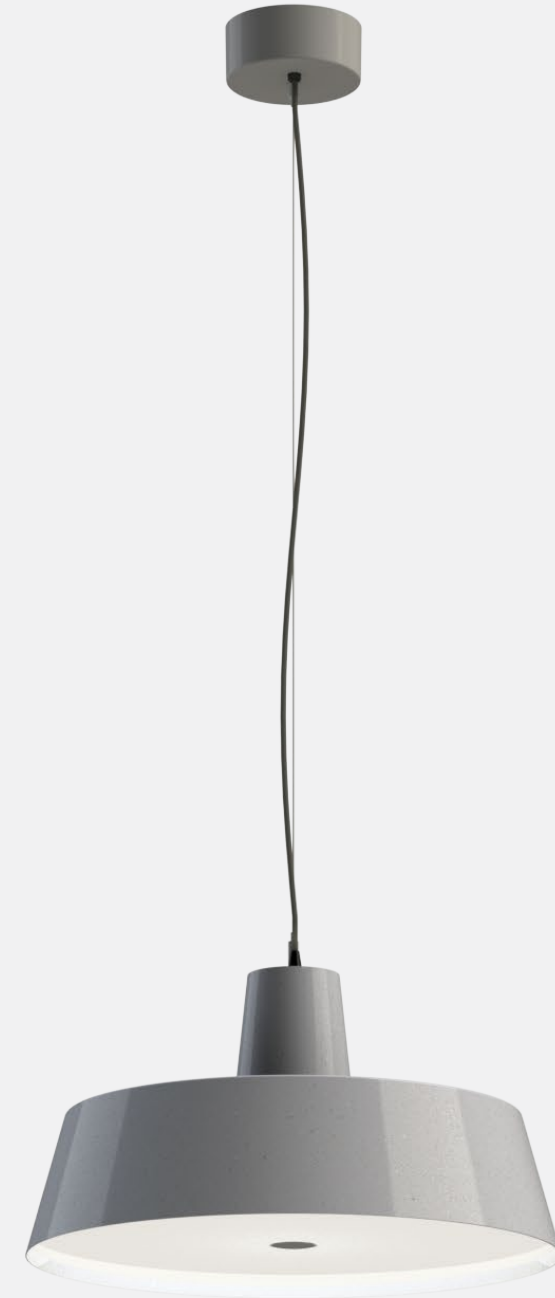
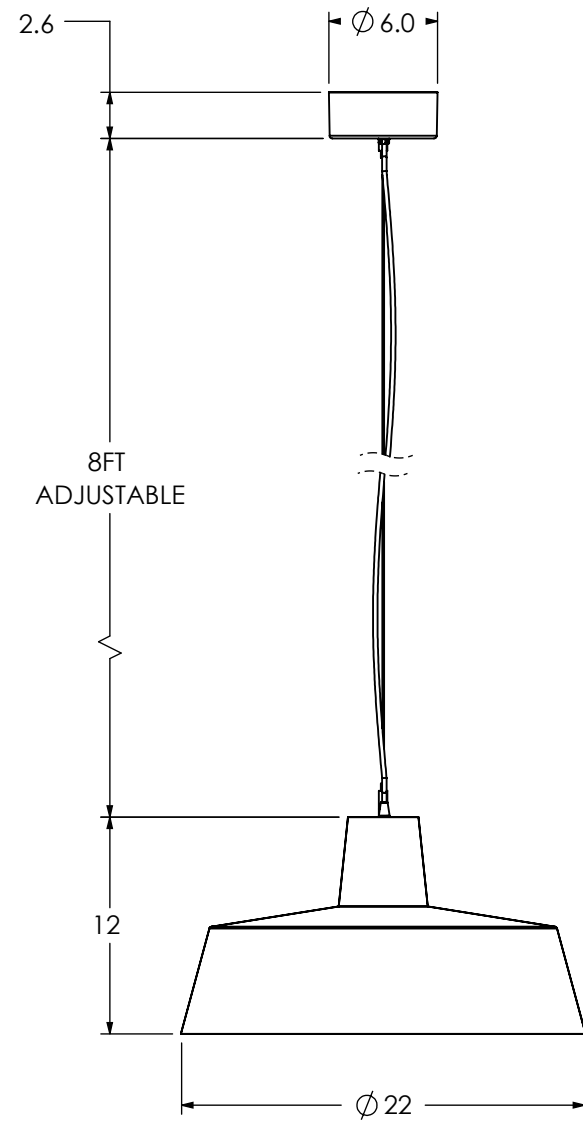
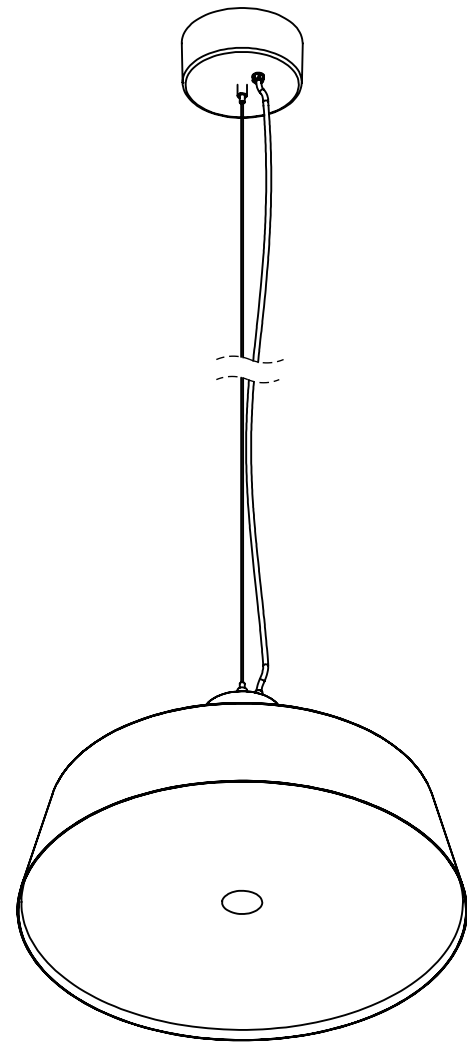
SPECIFICATIONS

GENERAL:

- Suitable for Damp Locations
- Made in USA, Manufactured and Hand-Crafted in Titusville, Florida
- CSA Listed (US and Canada)
- Hand-Spun, High Purity 0.050" Thick 3003-O Temper Aluminum Canopy

LIGHT SOURCE:

- 2700K, 90 CRI - Integrated LED
- Luminaire - 2000 Lumens Delivered



CUSTOM STEM MOUNT PENDANT: #76

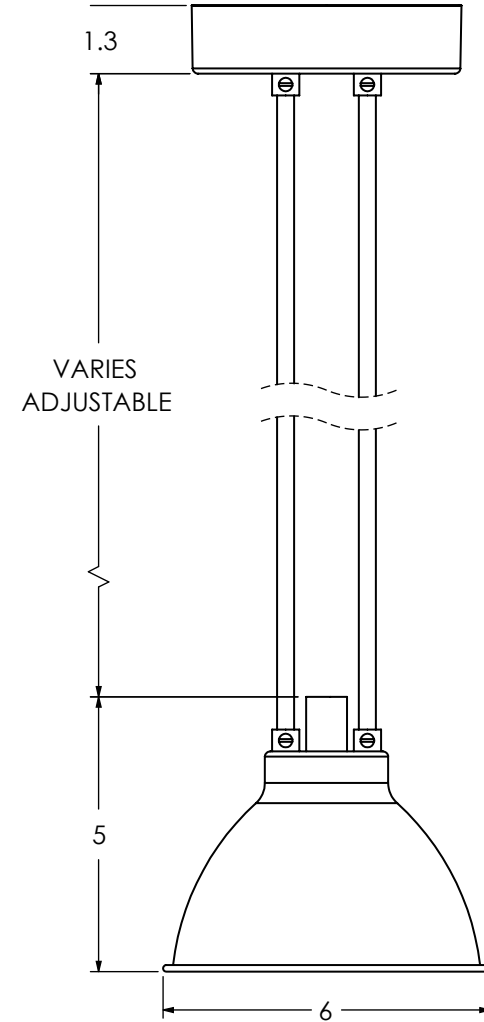
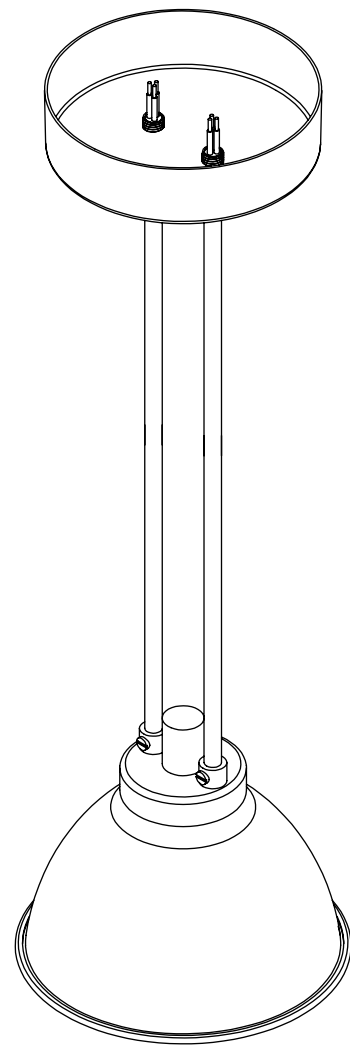
SPECIFICATIONS

GENERAL:

- Suitable for Dry Locations
- Made in USA, Manufactured and Hand-Crafted in Titusville, Florida
- CSA Listed (US & Canada)

LIGHT SOURCE:

- Integrated Cree COB LED
- Lumen: 500 Lumens
- CCT: 3000K
- 12 Watt Max
- Input Voltage: 120-277V
- Flicker-Free Driver Mounted in Canopy



CUSTOM STEM MOUNT PENDANT: #167

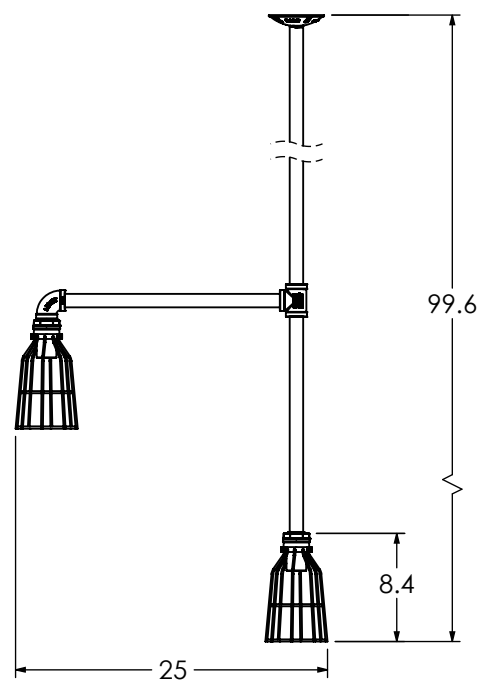
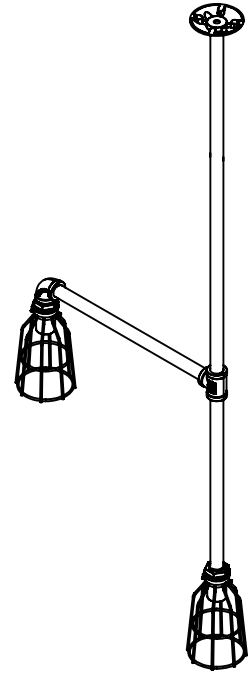
SPECIFICATIONS

GENERAL:

- Suitable for Dry Locations
- Made in USA, Manufactured and Hand-Crafted in Titusville, Florida
- UL Listed (US & Canada)

LIGHT SOURCE:

- E26 Medium Base Socket
- 200 Watt Max Per Socket



CUSTOM STEM MOUNT PENDANT: #214

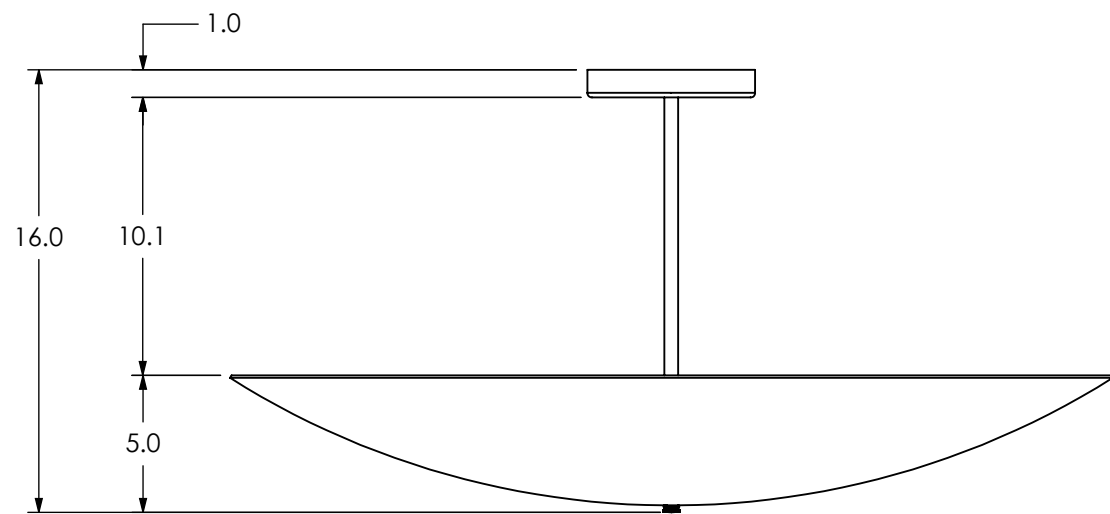
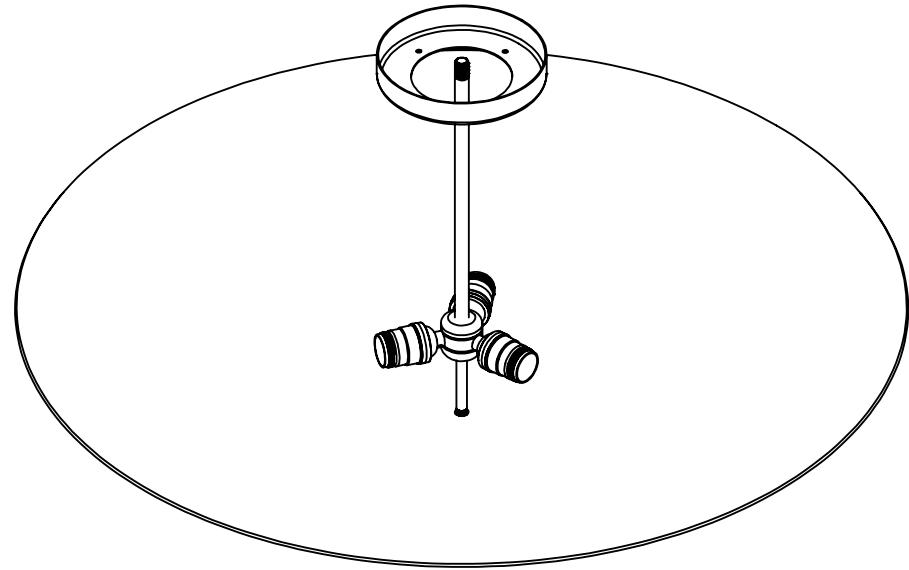
SPECIFICATIONS

GENERAL:

- Suitable for Dry Locations
- Made in USA, Manufactured and Hand-Crafted in Titusville, Florida
- UL Listed (US & Canada)
- Hand-Spun, High Purity 0.125" Thick 3003-O Temper Aluminum Shade

LIGHT SOURCE:

- 3x E26 Medium Base Socket
- 60 Watt Max Per Socket



CUSTOM STEM MOUNT PENDANT: #167

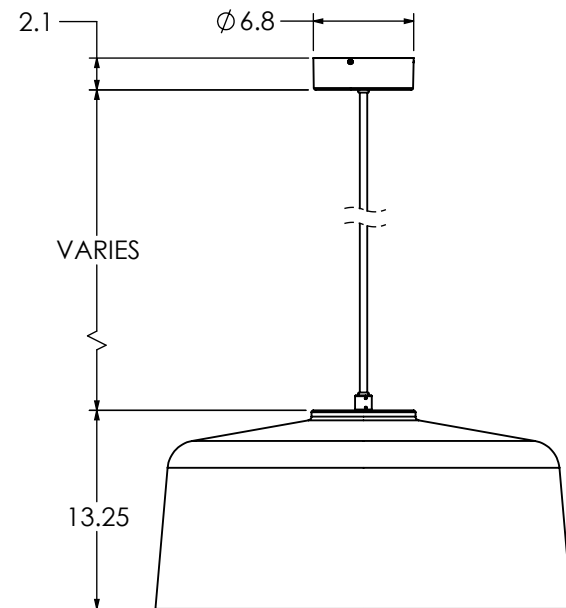
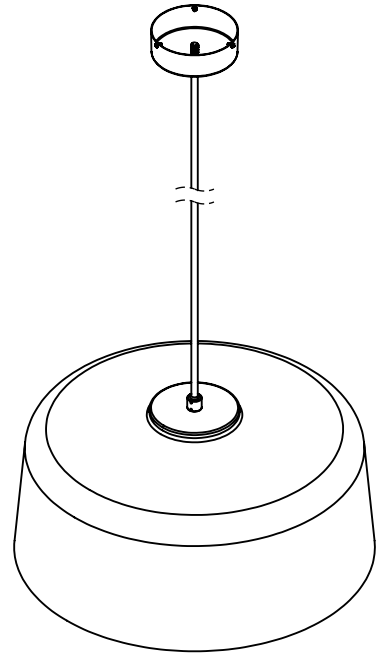
SPECIFICATIONS

GENERAL:

- Suitable for Damp Locations
- Made in USA, Manufactured and Hand-Crafted in Titusville, Florida
- UL Listed (US & Canada)
- Hand-Spun, High Purity 0.125" Thick 3003-O Temper Aluminum Shade

LIGHT SOURCE:

- 3x E26 Medium Base Socket
- 60W Max Per Socket



CUSTOM STEM MOUNT PENDANT: #252

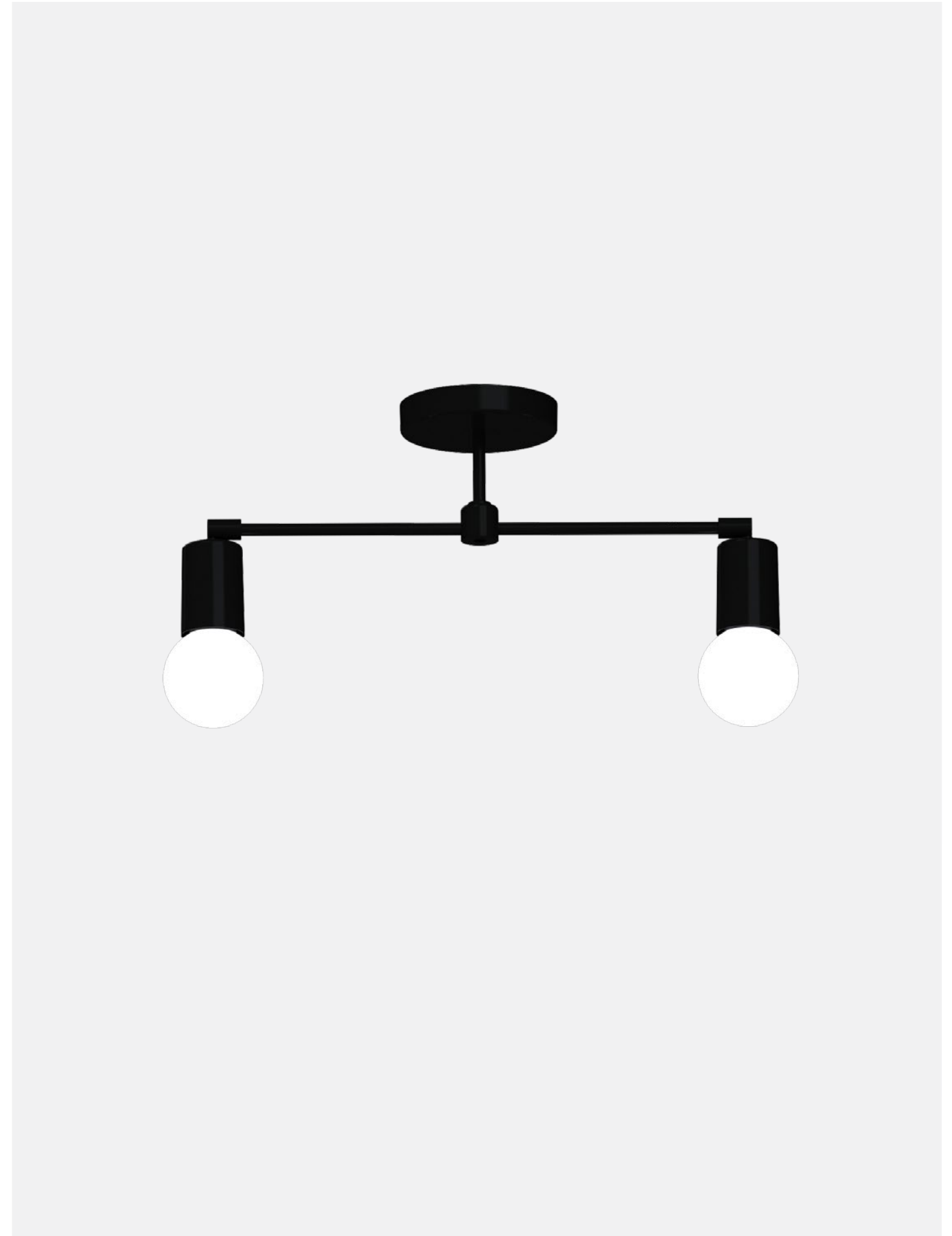
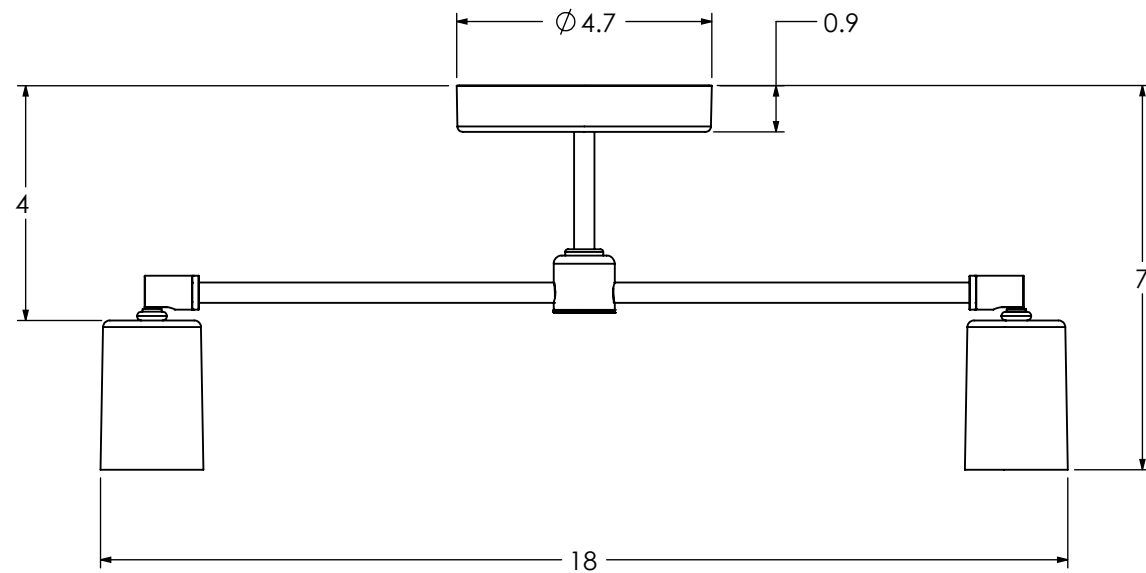
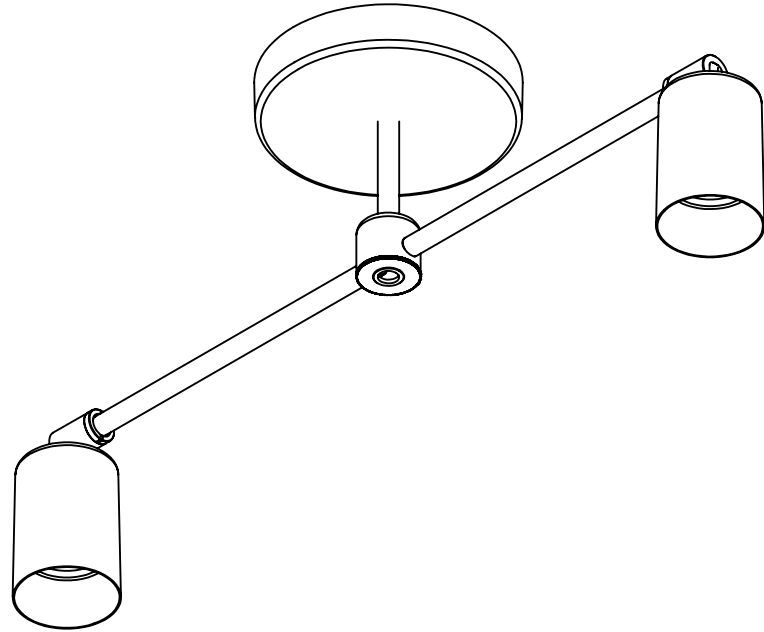
SPECIFICATIONS

GENERAL:

- Suitable for Damp Locations
- Made in USA, Manufactured and Hand-Crafted in Titusville, Florida
- UL Listed (US & Canada)
- Hand-Spun, High Purity 0.050" Thick 3003-O Temper Aluminum Cup

LIGHT SOURCE:

- GU24 Medium Base Socket
- 60 Watt Max Per Socket



CUSTOM FLUSH MOUNT PENDANT: #216

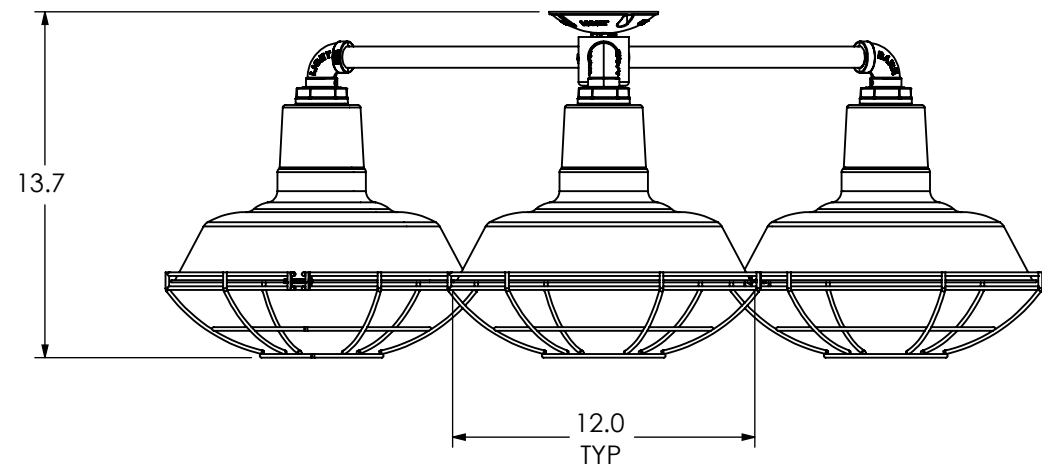
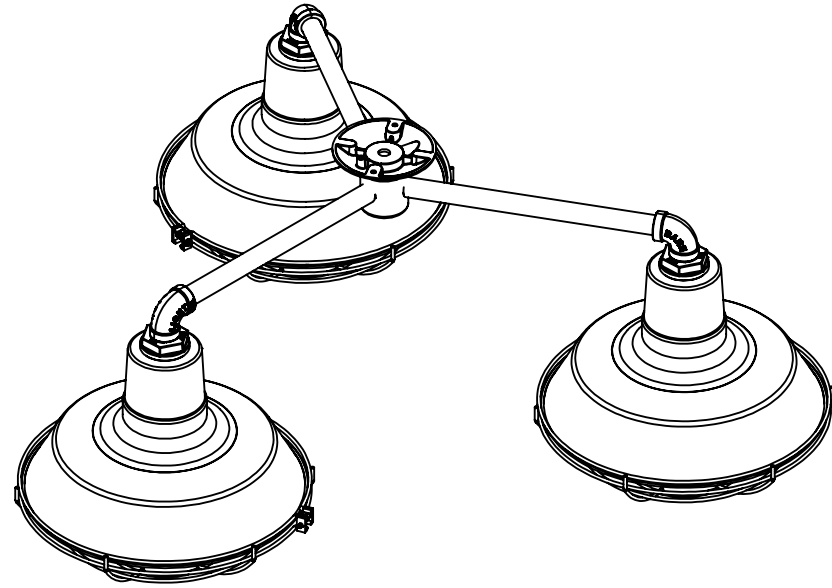
SPECIFICATIONS

GENERAL:

- Suitable for Damp Locations
- Made in USA, Manufactured and Hand-Crafted in Titusville, Florida
- UL Listed (US & Canada)
- 1/2" Hand-Spun, High Purity 0.050" Thick 3003-O Temper

LIGHT SOURCE:

- E26 Medium Base Socket
- 100 Watt Max Per Socket



CUSTOM FLUSH MOUNT PENDANT: #218

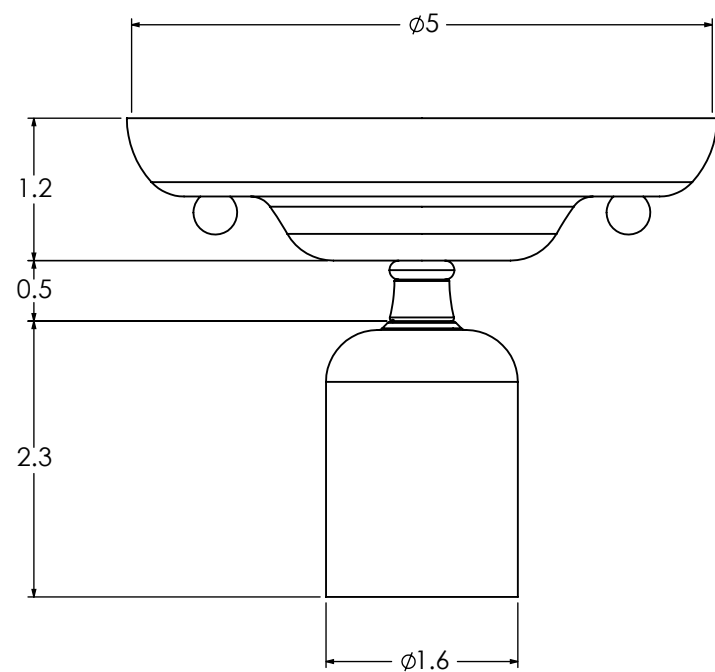
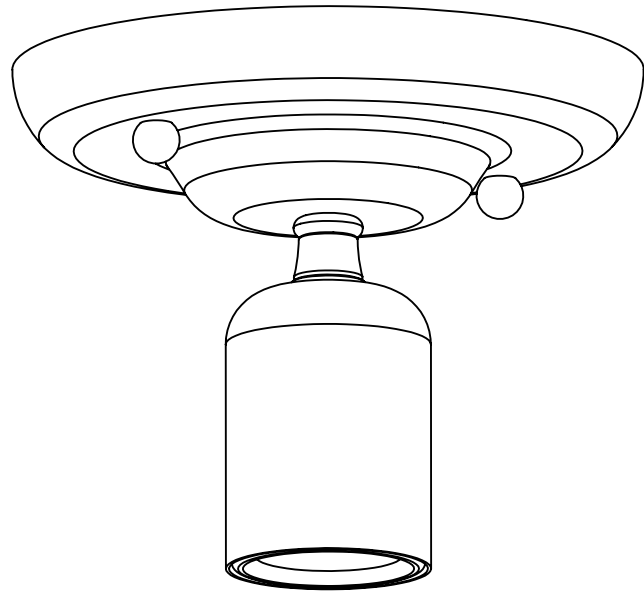
SPECIFICATIONS

GENERAL:

- Suitable for Dry Locations
- Made in USA, Manufactured and Hand-Crafted in Titusville, Florida
- CSA Listed (US & Canada)
- Hand-Spun, High Purity 0.050" Thick 3003-O Temper Aluminum Canopy

LIGHT SOURCE:

- E26 Medium Base Socket
- 60 Watt Max Per Socket



CUSTOM FLUSH MOUNT PENDANT: #248

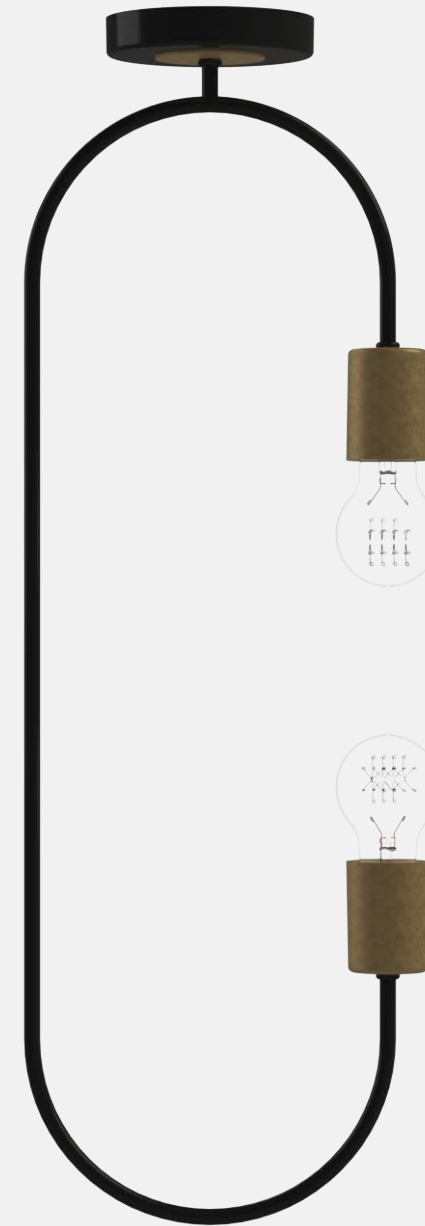
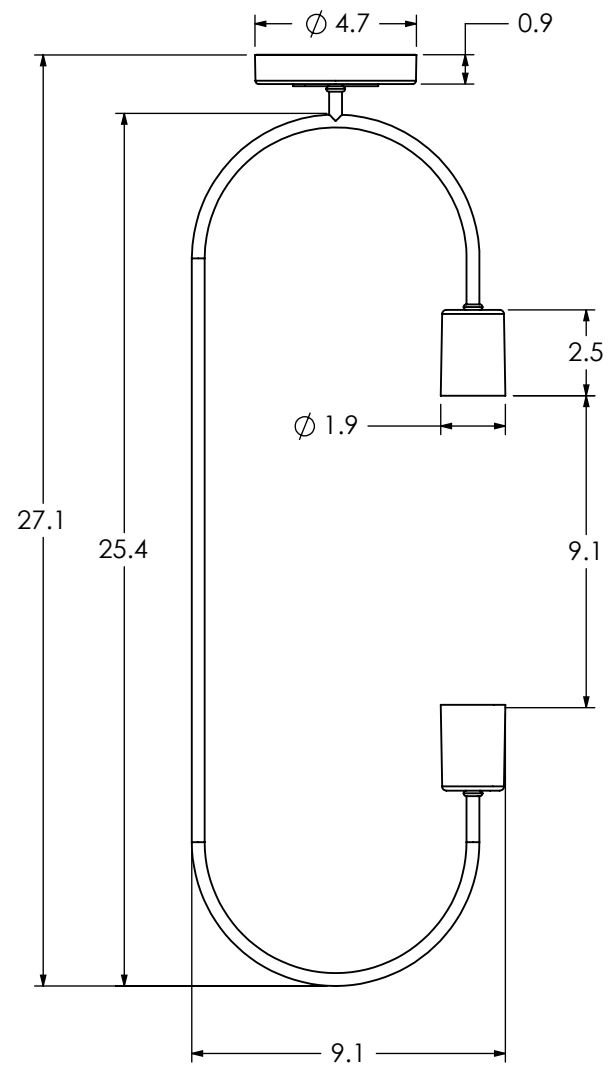
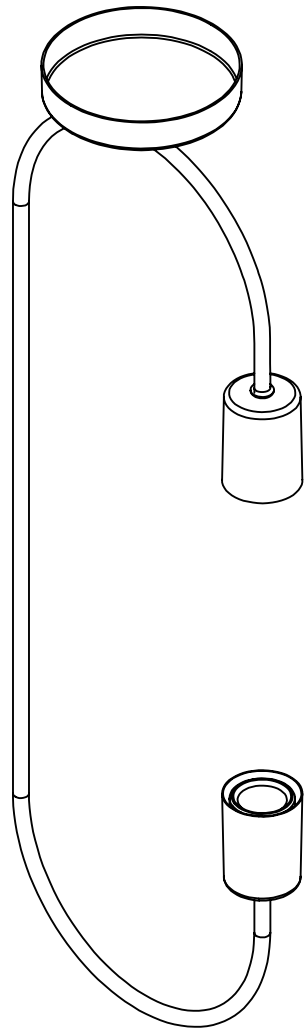
SPECIFICATIONS

GENERAL:

- Suitable for Damp Locations
- Made in USA, Manufactured and Hand-Crafted in Titusville, Florida
- UL Listed (US & Canada)
- Hand-Spun, High Purity 0.050" Thick 3003-O Temper Aluminum Canopy

LIGHT SOURCE:

- E26 Medium Base Socket (X2)
- 100 Watt Max Per Socket



CUSTOM FLUSH MOUNT PENDANT: #255

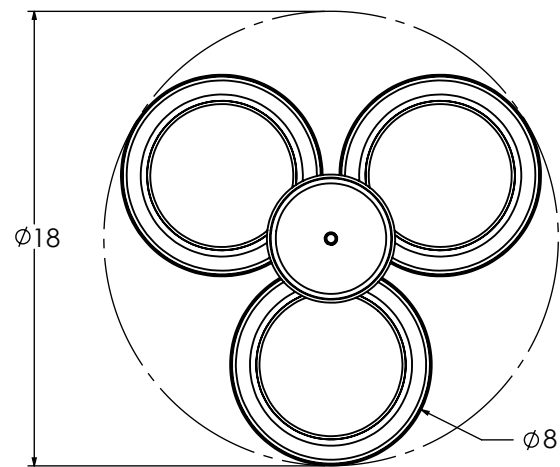
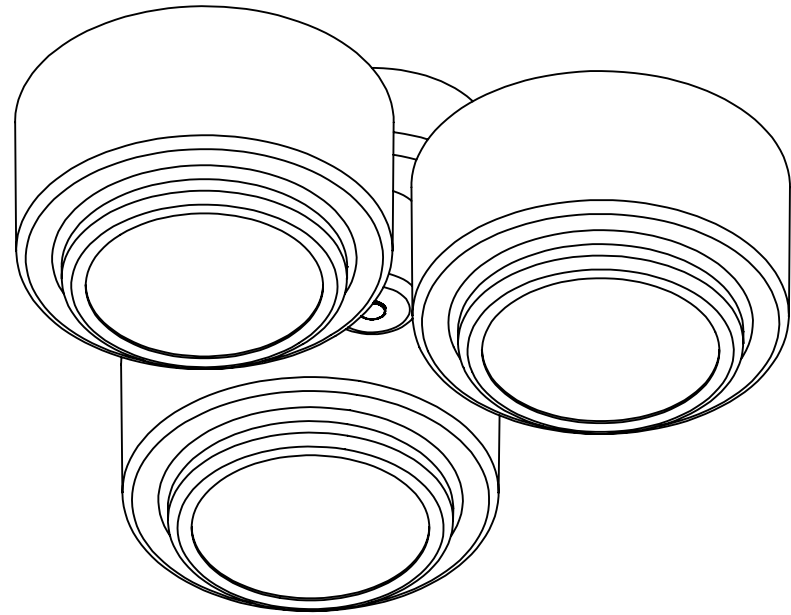
SPECIFICATIONS

GENERAL:

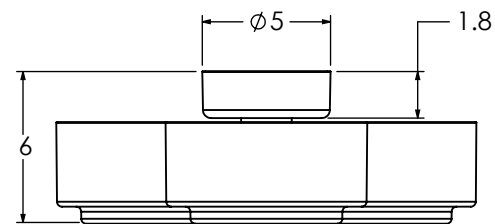
- Suitable for Damp Locations
- Made in USA, Manufactured and Hand-Crafted in Titusville, Florida
- UL Listed (US & Canada)
- Hand-Spun, High Purity 0.050" Thick 3003-O Temper Aluminum Shade

LIGHT SOURCE:

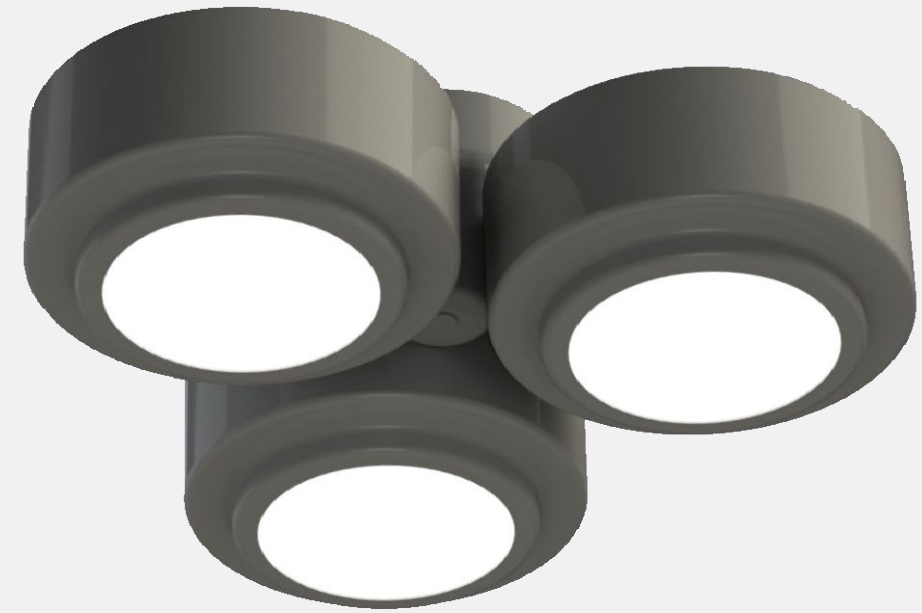
- (3X) E12 Candelabra Socket
- 60 Watt Max Per Socket



TOP VIEW



FRONT VIEW



CUSTOM FLUSH MOUNT PENDANT: #223

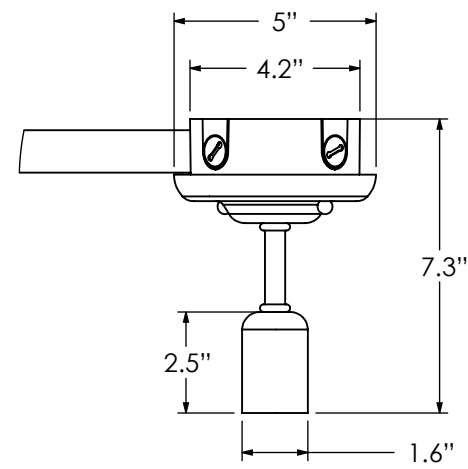
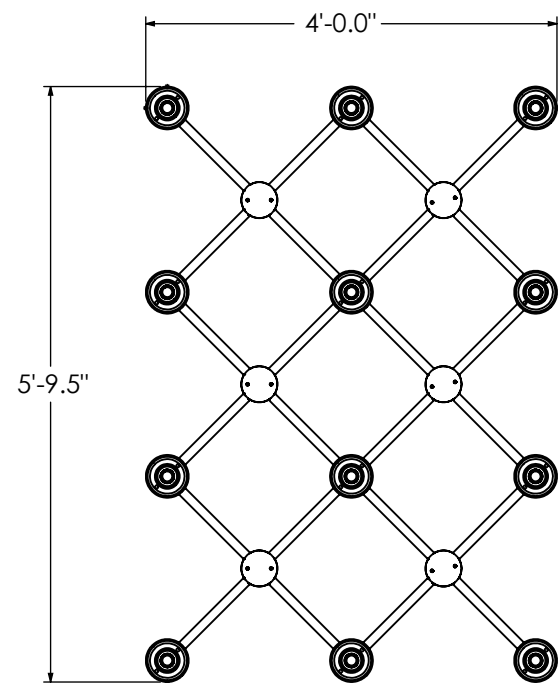
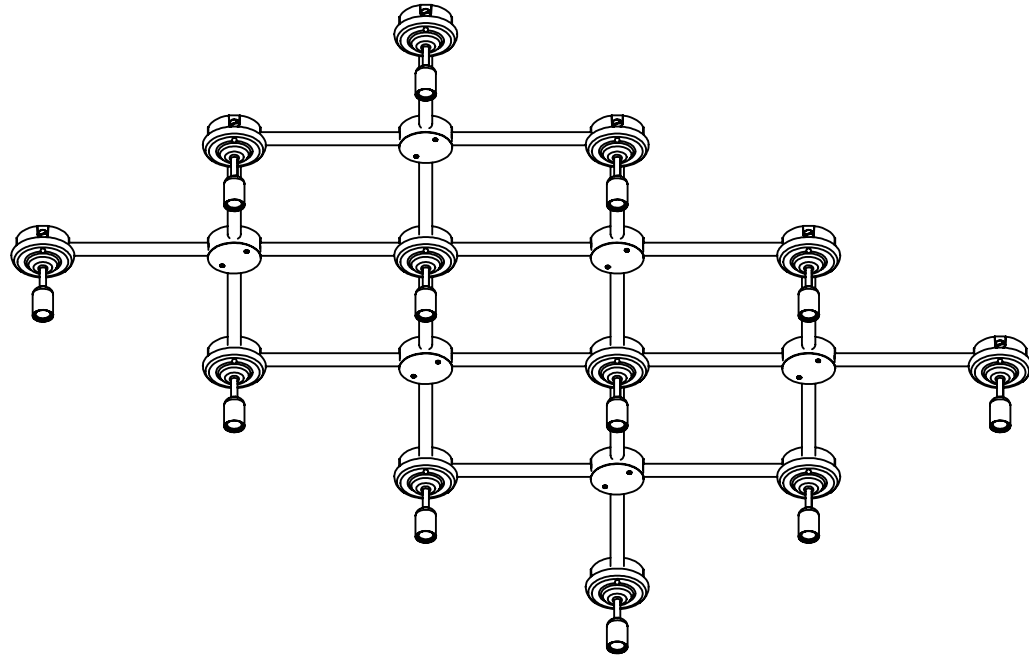
SPECIFICATIONS

GENERAL:

- Suitable for Damp Locations
- Made in USA, Manufactured and Hand-Crafted in Titusville, Florida
- UL Listed (US & Canada)

LIGHT SOURCE:

- 12x E26 Medium Base Socket
- 50W Max Per Socket



CUSTOM WALL AND CEILING MOUNT: #235

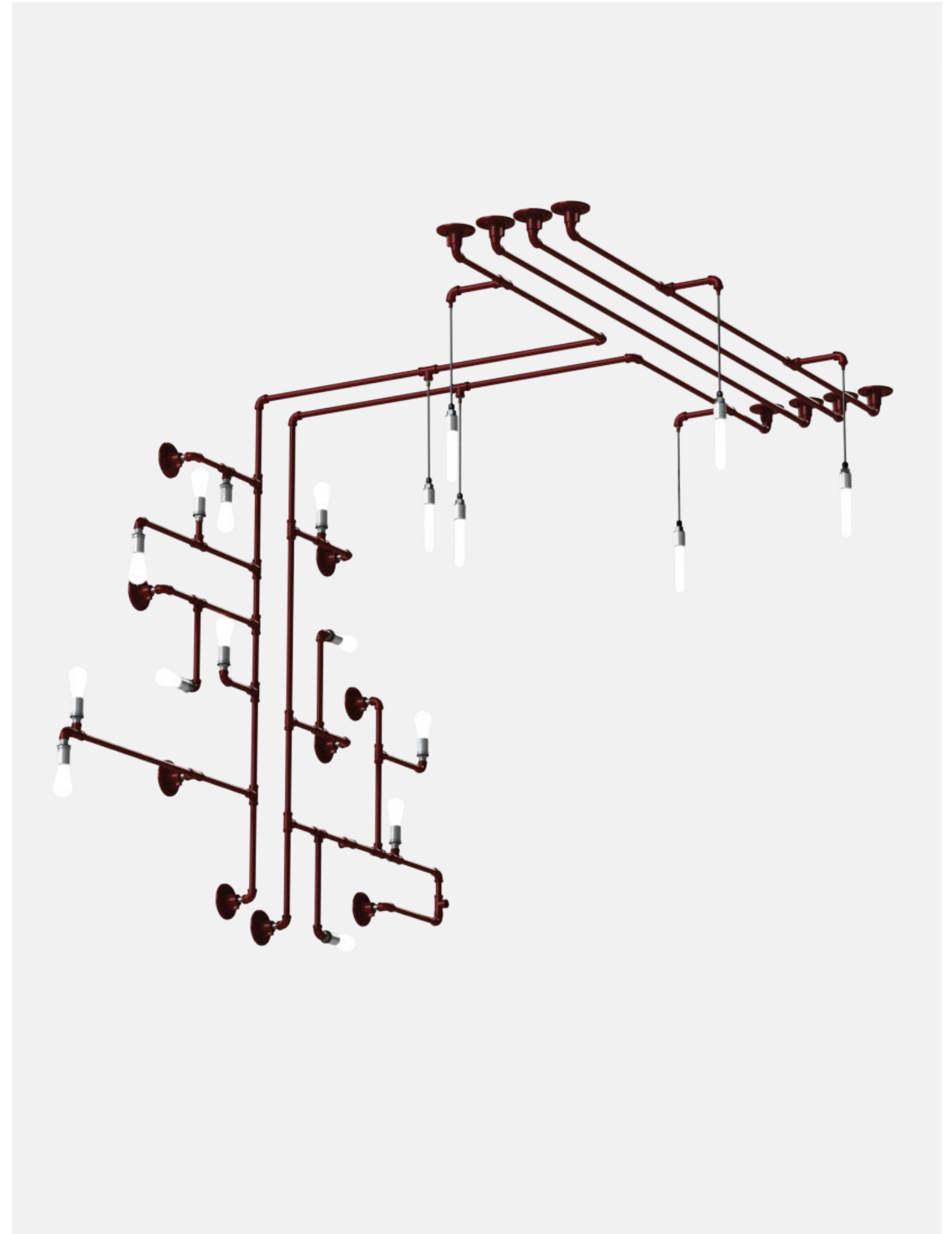
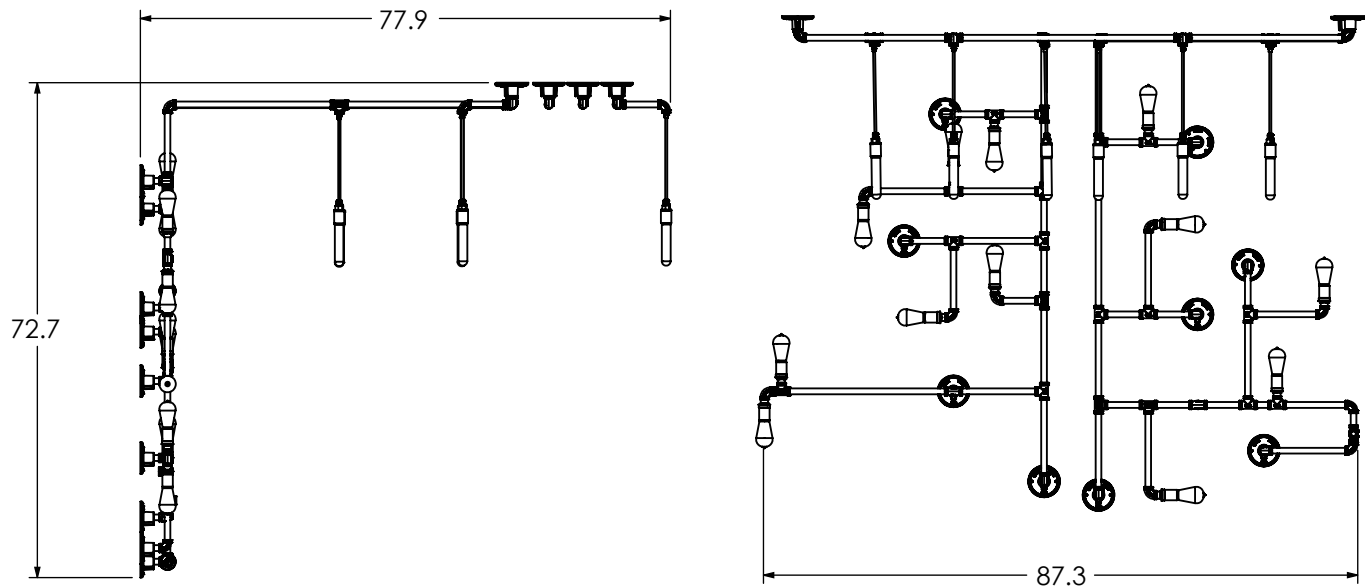
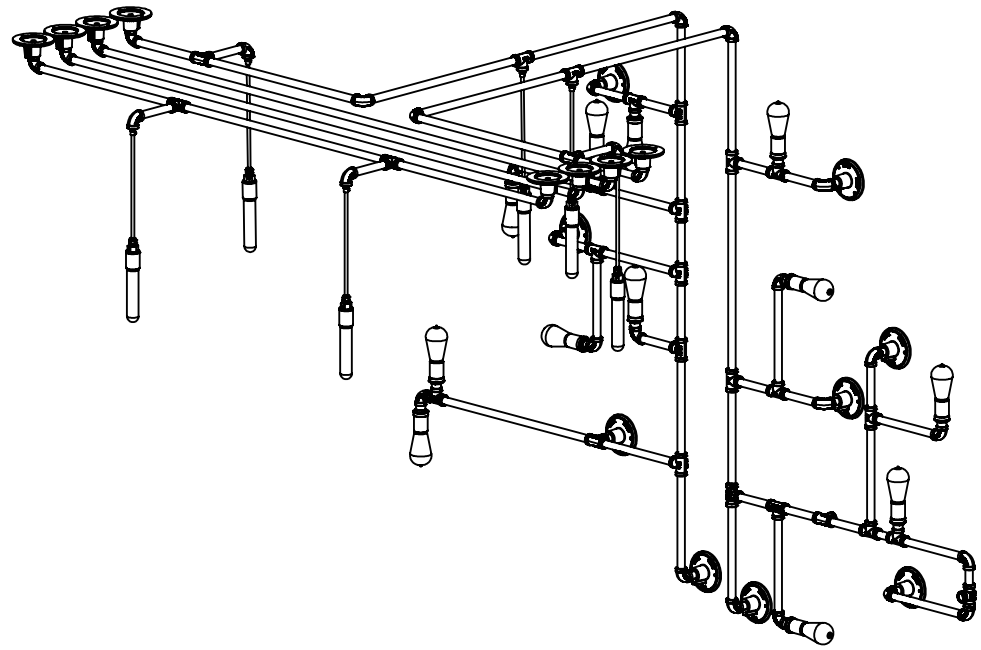
SPECIFICATIONS

GENERAL:

- Suitable for Dry Locations
- Made in USA, Manufactured and Hand-Crafted in Titusville, Florida
- UL Listed (US & Canada)
- Fixture Will Be Shipped in Multiple Sections
- 10 Supply Lines Required

LIGHT SOURCE:

- 18x E26 Medium Base Porcelain Sockets
- 100w Max Per Bulb
- 120v Supply Wires
- 10 Supply Lines Required



CUSTOM WALL SCONCE: #67

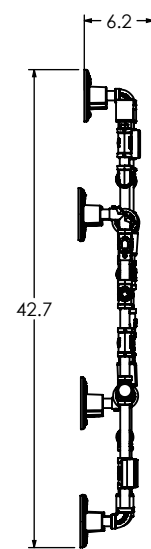
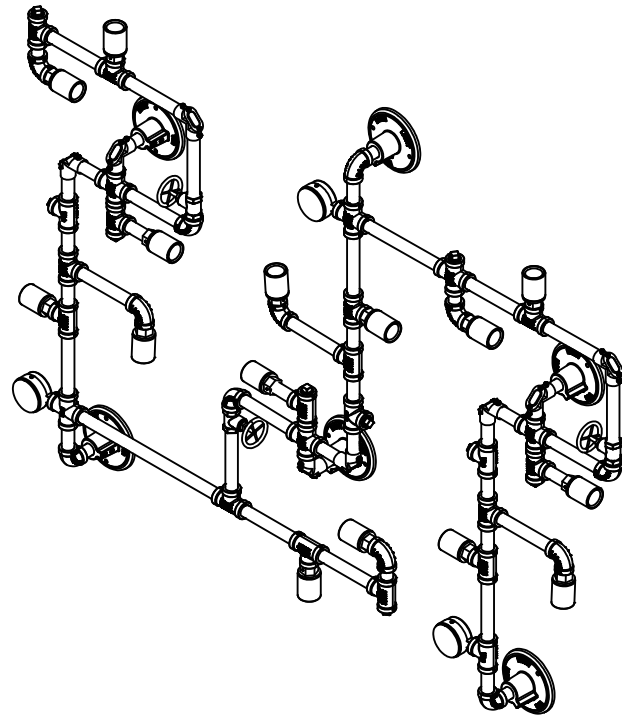
SPECIFICATIONS

GENERAL:

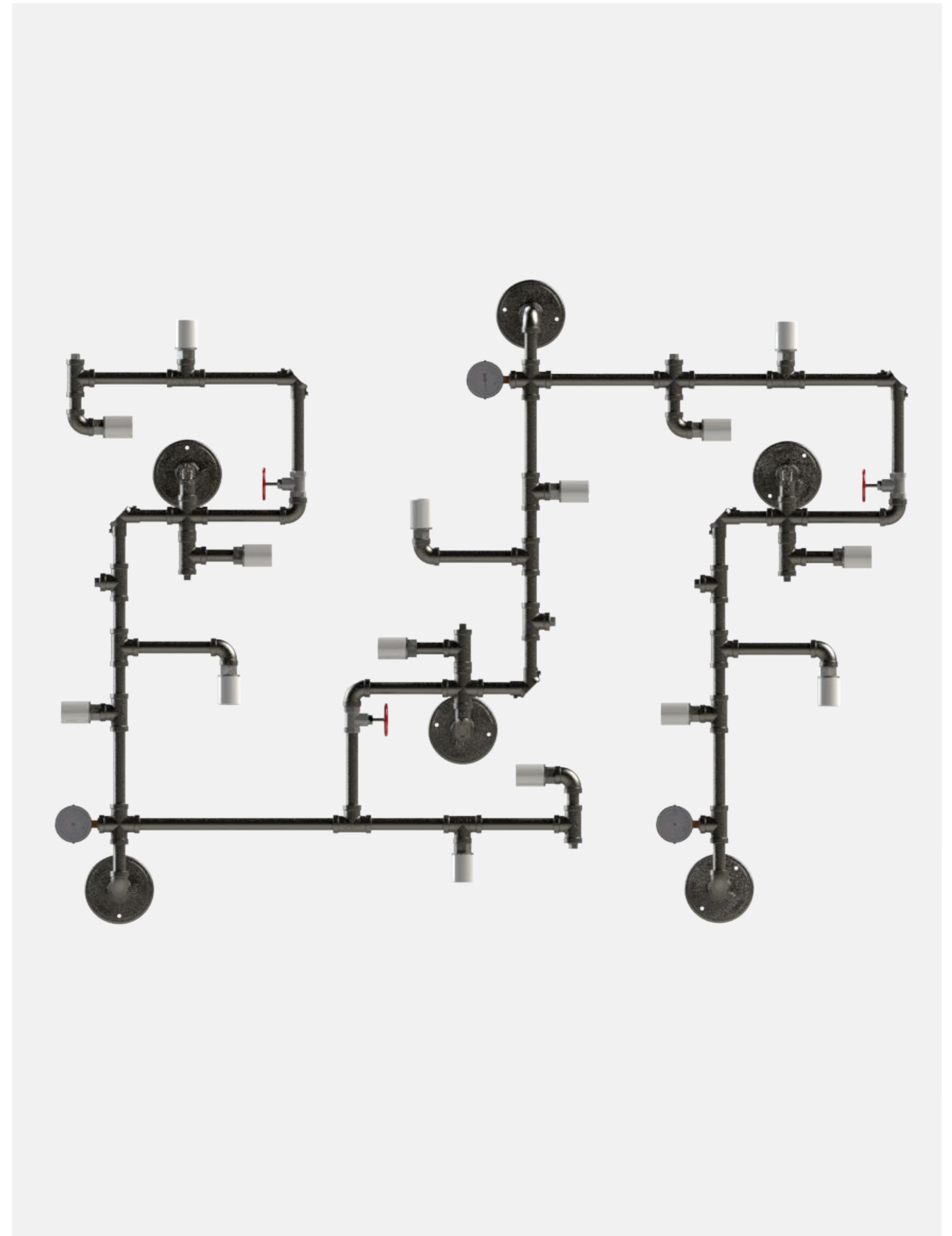
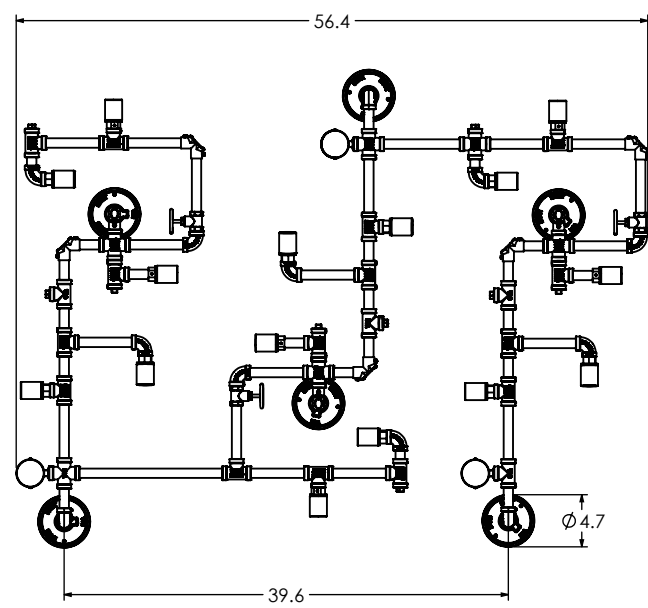
- Suitable for Dry Locations
- Made in USA, Manufactured and Hand-Crafted in Titusville, Florida

LIGHT SOURCE:

- 15x E26 Medium Base Porcelain Sockets
- 100 Watt Max Per Socket
- 120v Supply Wires



SIDE VIEW



CUSTOM WALL SCONCE: #238

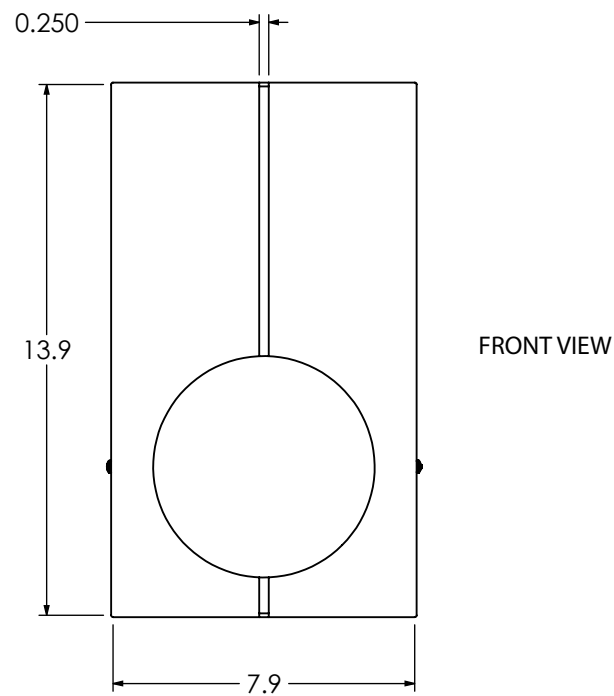
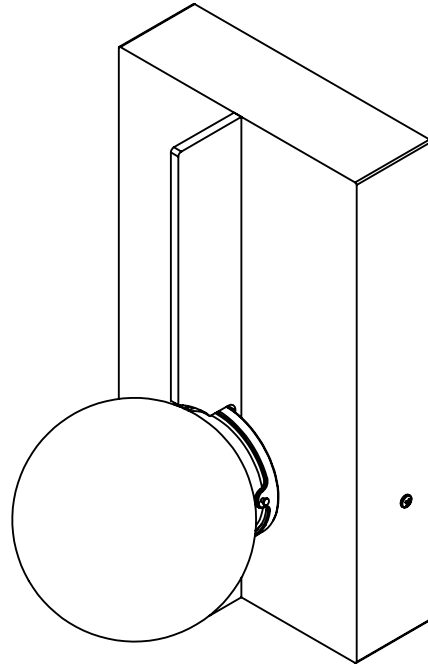
SPECIFICATIONS

GENERAL:

- Suitable for Damp Locations
- Made in USA, Manufactured and Hand-Crafted in Titusville, Florida
- CSA Listed (US and Canada)
- Heat Treated Aluminum 6061-T6 Housing

LIGHT SOURCE:

- E26 Medium Base Socket
- 60 Watt Max Per Socket



CUSTOM WALL SCONCE: #230

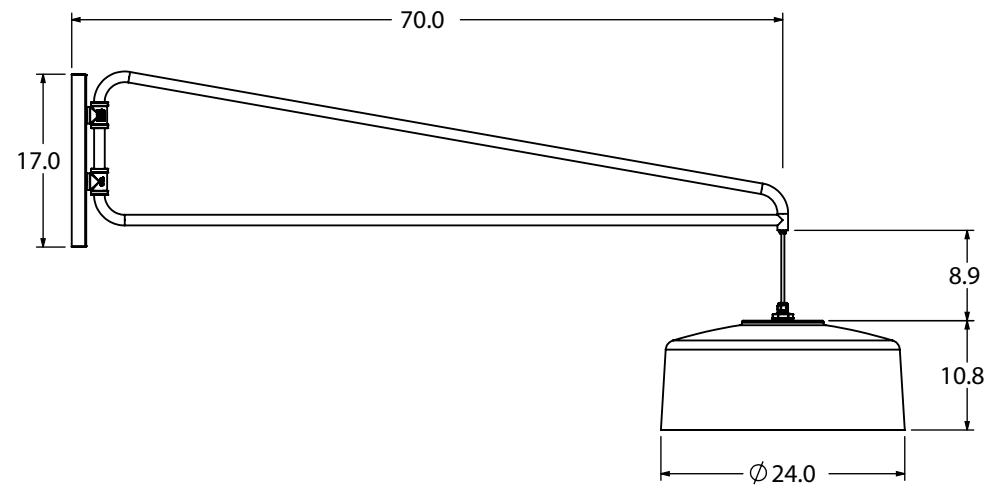
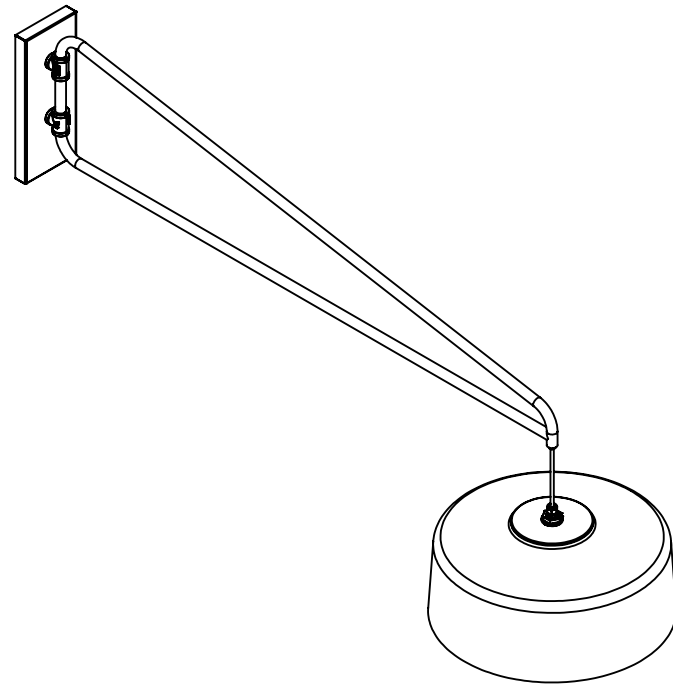
SPECIFICATIONS

GENERAL:

- CSA Listed for Damp Locations
- Made in USA, Manufactured and Hand-Crafted in Titusville, Florida
- Shade, Hand-Spun, High Purity 3003-O Aluminum

LIGHT SOURCE:

- Integrated LED
- Initial Lumens Delivered: Up to 2000LM
- Fixture Wattage: 27W
- CCT: 3000K
- Dome LED Lens



CUSTOM WALL SCONCE: #232

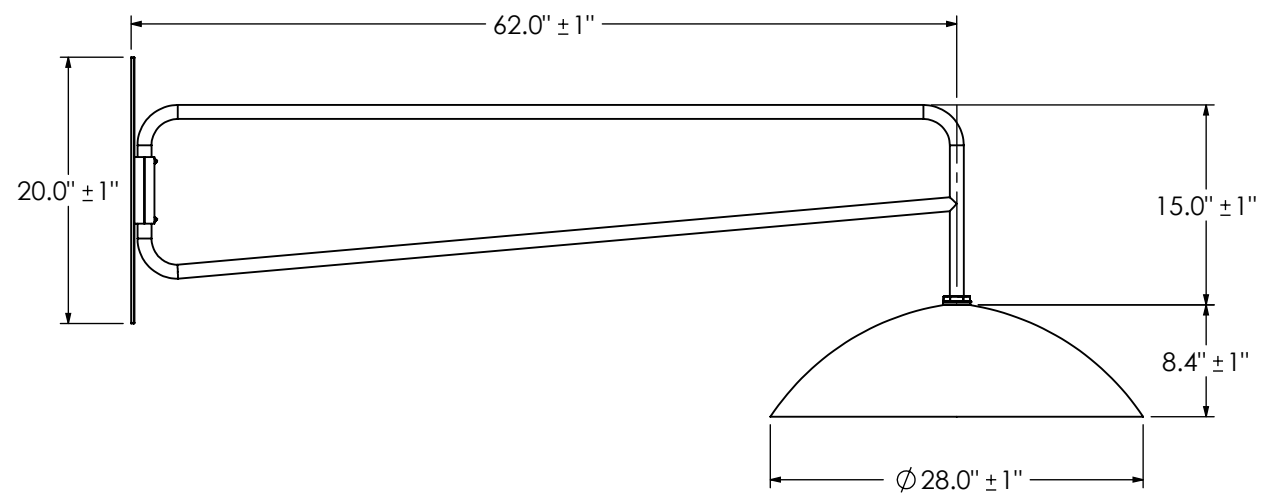
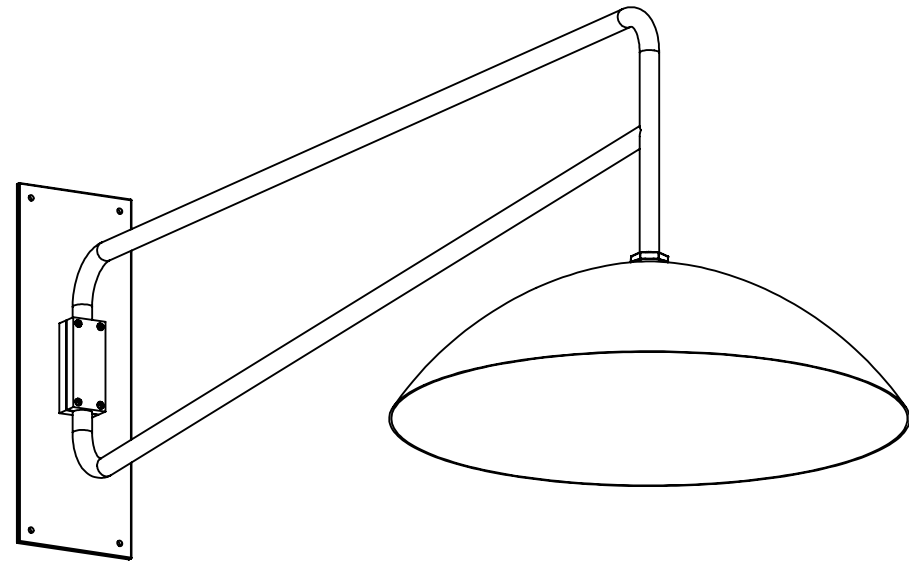
SPECIFICATIONS

GENERAL:

- Suitable for Damp Locations
- Made in USA, Manufactured and Hand-Crafted in Titusville, Florida
- UL Listed (US & Canada)
- Hand-Spun, High Purity 0.125" Thick 3003-O Temper Aluminum Shade

LIGHT SOURCE:

- E26 Medium Base Socket
- 200 Watt Max Per Socket



SIDE VIEW



CUSTOM WALL SCONCE: #225

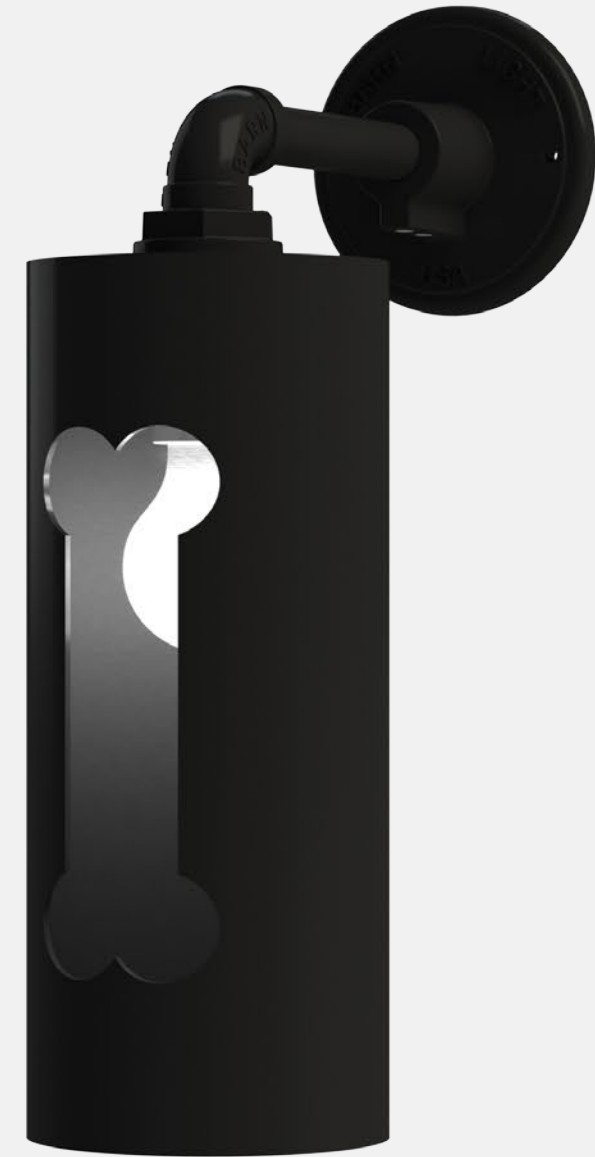
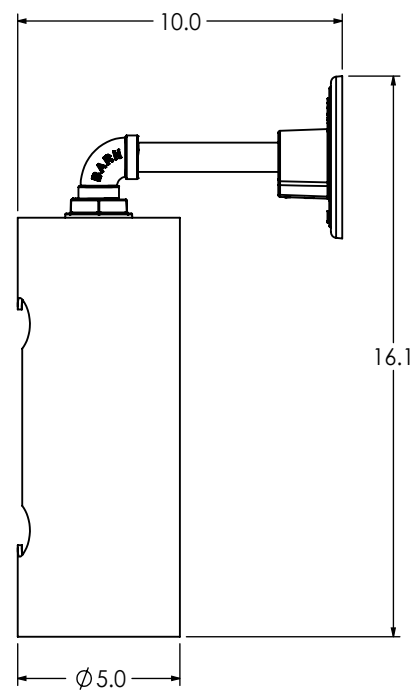
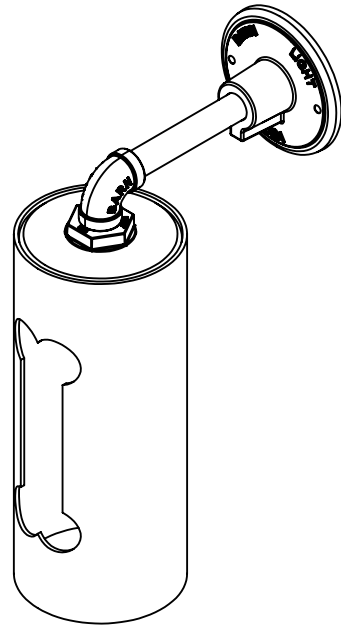
SPECIFICATIONS

GENERAL:

- Suitable for Damp Locations
- Made in USA, Manufactured and Hand-Crafted in Titusville, Florida
- UL Listed (US & Canada)
- 1/2" Nominal (0.84" Actual), Sch 40, 6063 Aluminum Gooseneck Mounting

LIGHT SOURCE:

- E26 Medium Base Socket
- 100 Watt Max Per Socket



CUSTOM WALL SCONCE: #52

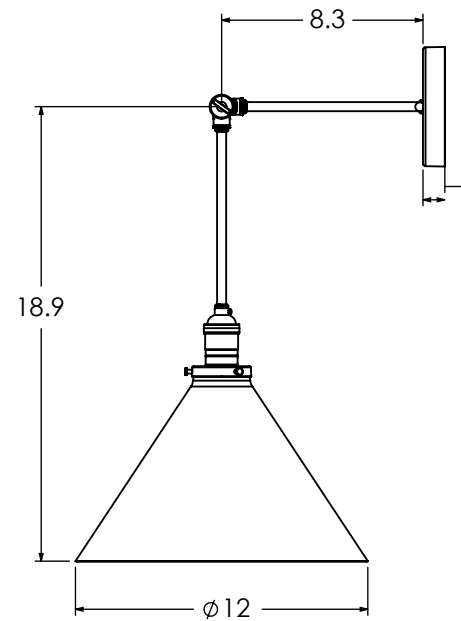
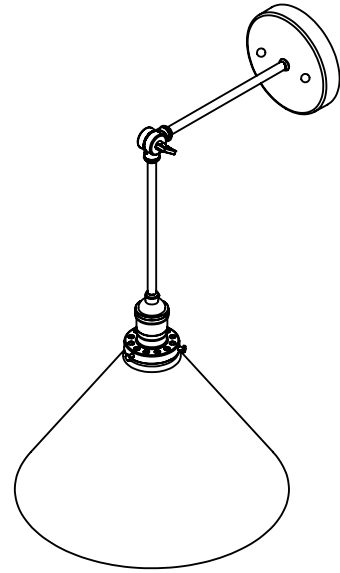
SPECIFICATIONS

GENERAL:

- Suitable for Dry Locations
- Made in USA, Manufactured and Hand-Crafted in Titusville, Florida

LIGHT SOURCE:

- E26 Medium Base Socket
- 200 Watt Max Per Socket
- 120v Supply Wires



CUSTOM WALL SCONCE: #256

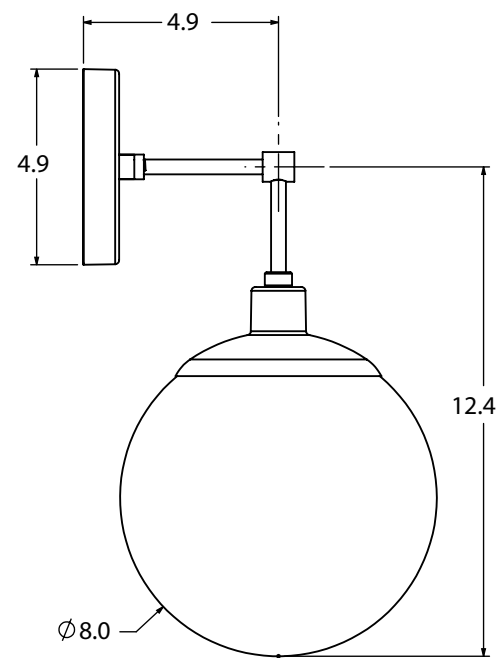
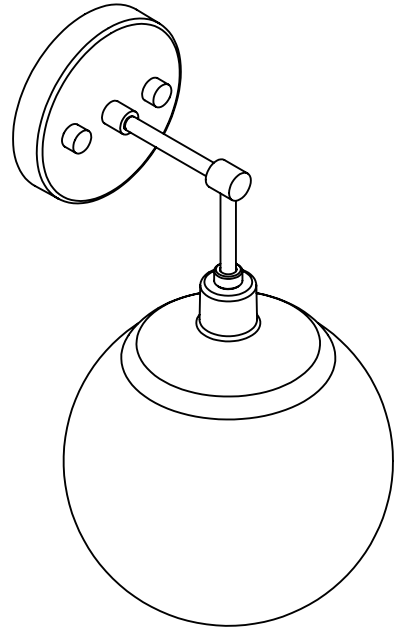
SPECIFICATIONS

GENERAL:

- Suitable for Damp Locations
- Made in USA, Manufactured and Hand-Crafted in Titusville, Florida
- UL Listed (US & Canada)
- Shade and Backing Plate, Hand-Spun from High Purity 3003-O Aluminum

LIGHT SOURCE:

- E26 Medium Base Socket
- 100 Watt Max Per Socket
- Input Voltage: 120VAC



CUSTOM WALL SCONCE: #162

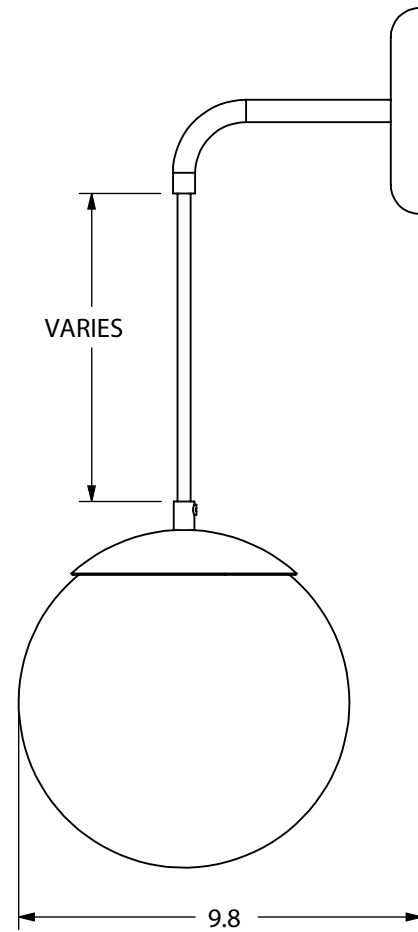
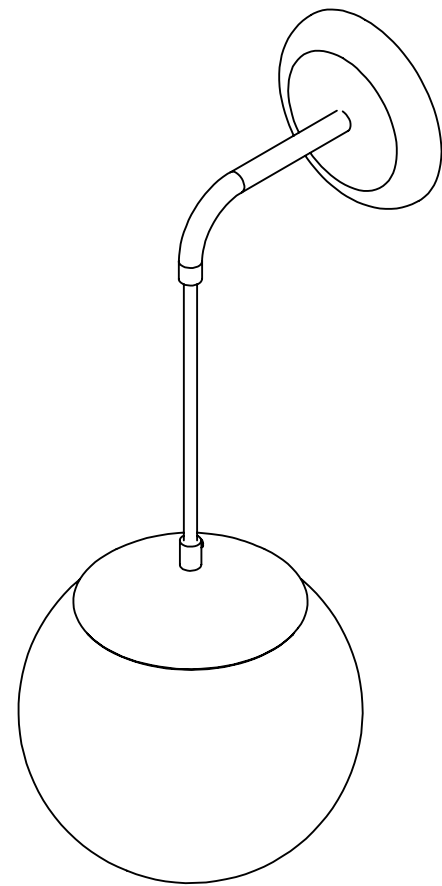
SPECIFICATIONS

GENERAL:

- Suitable for Dry Locations
- Made in USA, Manufactured and Hand-Crafted in Titusville, Florida
- CSA Listed (US and Canada)

LIGHT SOURCE:

- E26 Medium Base Socket
- 100 Watt Max Per Socket



CUSTOM WALL SCONCE: #45

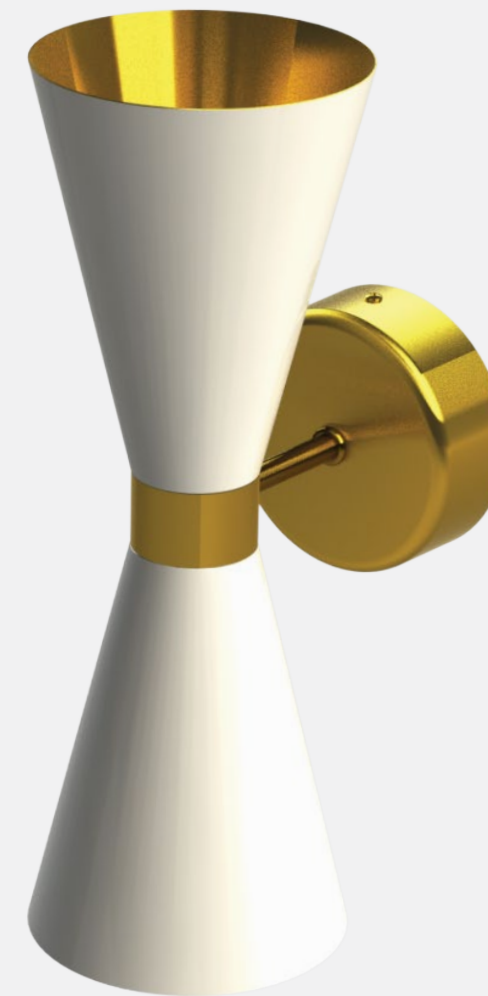
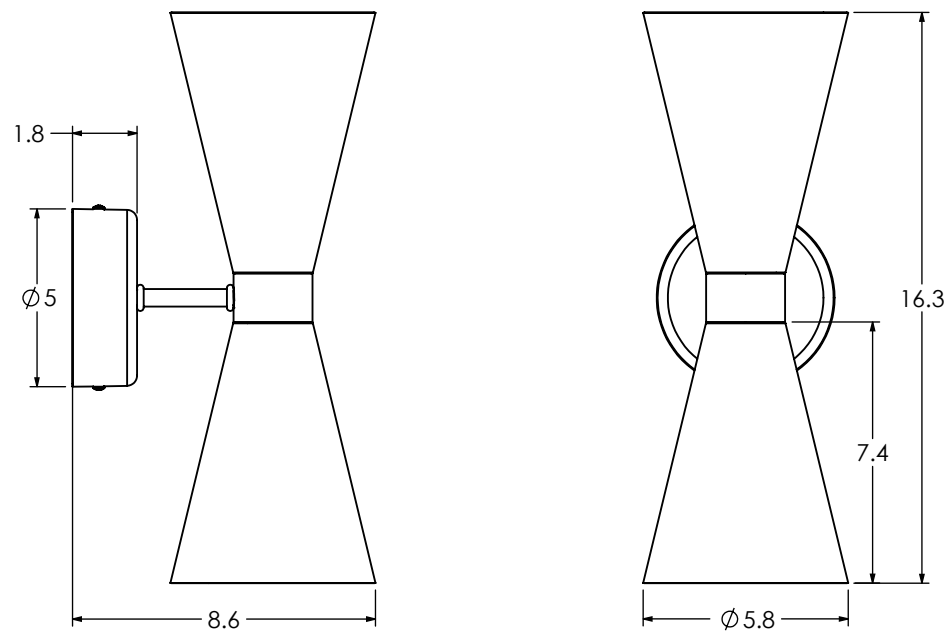
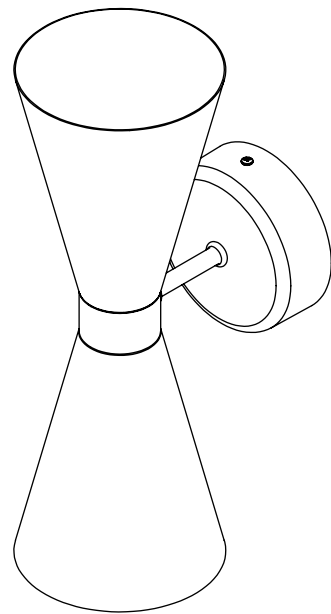
SPECIFICATIONS

GENERAL:

- Suitable for Damp Locations
- Made in USA, Manufactured and Hand-Crafted in Titusville, Florida

LIGHT SOURCE:

- 2 x15w 600 lumen Integrate LED Light
- 90+CRI
- Lumen Maintenance: L70>50,000
- CCT: 2700K
- 120-277 VAC INPUT



CUSTOM WALL SCONCE: #36

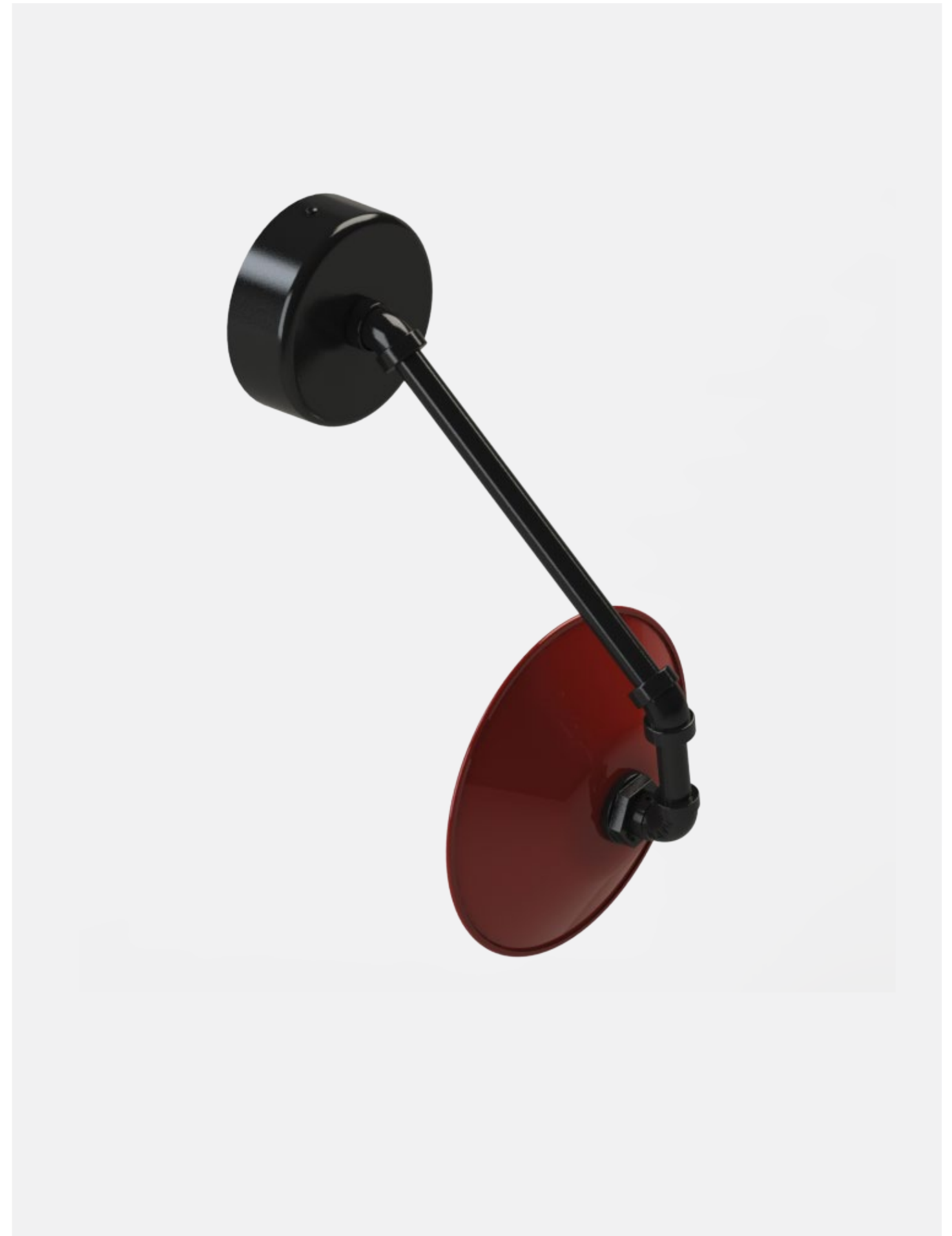
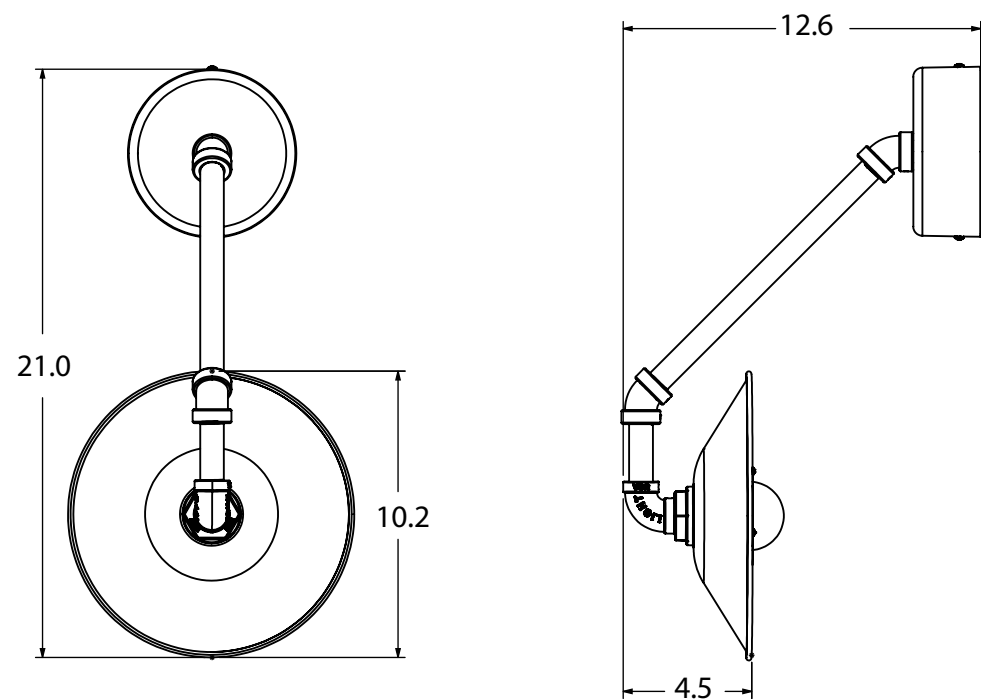
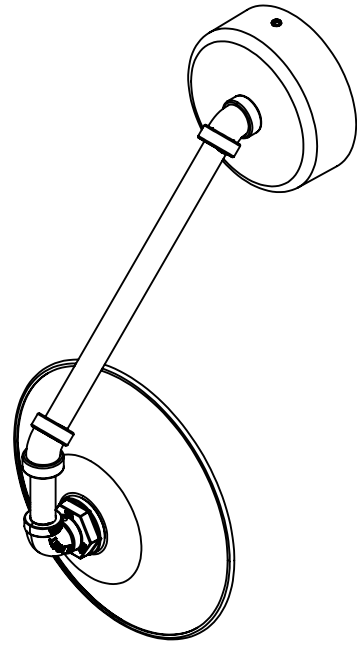
SPECIFICATIONS

GENERAL:

- Suitable for Dry Locations
- Made in USA, Manufactured and Hand-Crafted in Titusville, Florida
- CSA Listed (US & Canada)

LIGHT SOURCE:

- 90+ CRI
- 11W LED, 850 Lumens Dome Lens
- CCT: 3000K
- LED Driver: Triac Dimming
- L70>50,000 Hours



CUSTOM DESK LAMP: #259

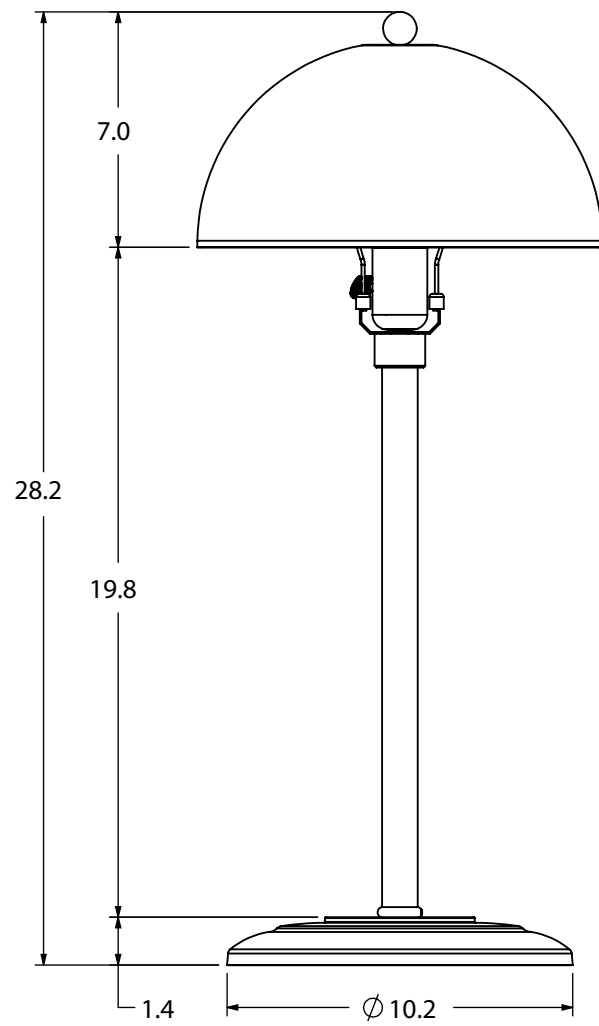
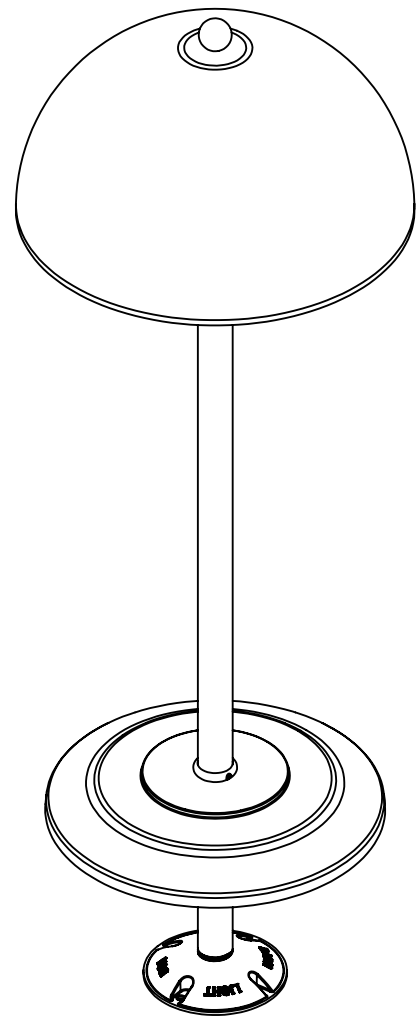
SPECIFICATIONS

GENERAL:

- Suitable for Damp Locations
- Made in USA, Manufactured and Hand-Crafted in Titusville, Florida
- UL Listed (US & Canada)
- Hand-Spun, High Purity 0.050" Thick 3003-O Temper Aluminum Shade

LIGHT SOURCE:

- E26 Medium Base Socket
- 60 Watt Max Per Socket



CUSTOM POST MOUNT: #172

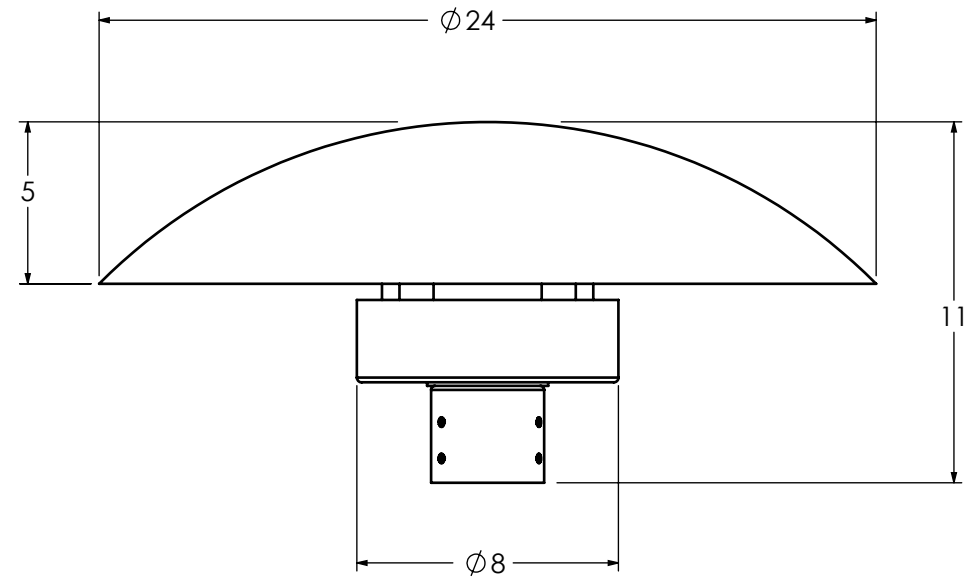
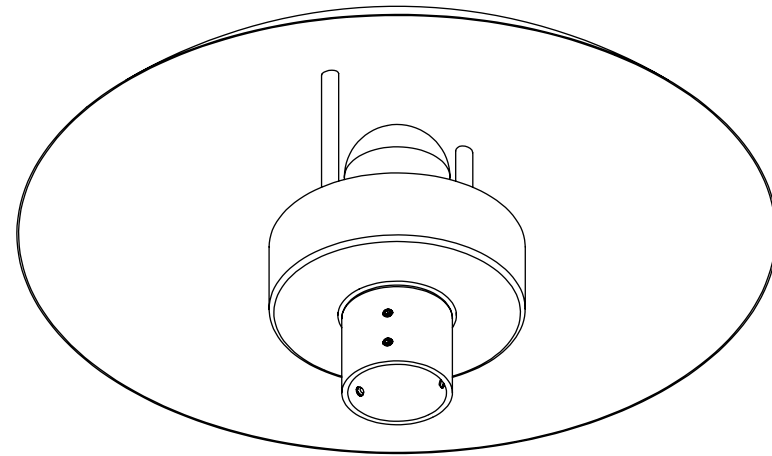
SPECIFICATIONS

GENERAL:

- Suitable for Wet Locations
- Made in USA, Manufactured and Hand-Crafted in Titusville, Florida
- CSA Listed (US & Canada)

LIGHT SOURCE:

- Integrated COB LED
- CCT: 2700K, 3000K, 3500K & 4000K
(Consult Factory for Additional CCT Options)



CUSTOM DECORATIVE POST MOUNT: #261

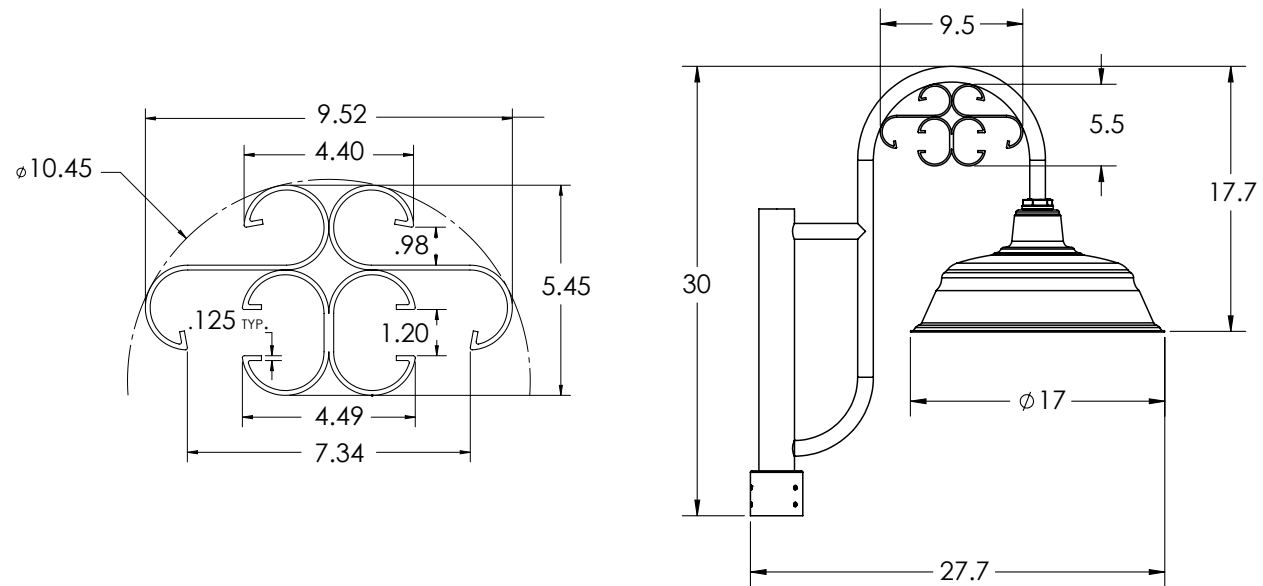
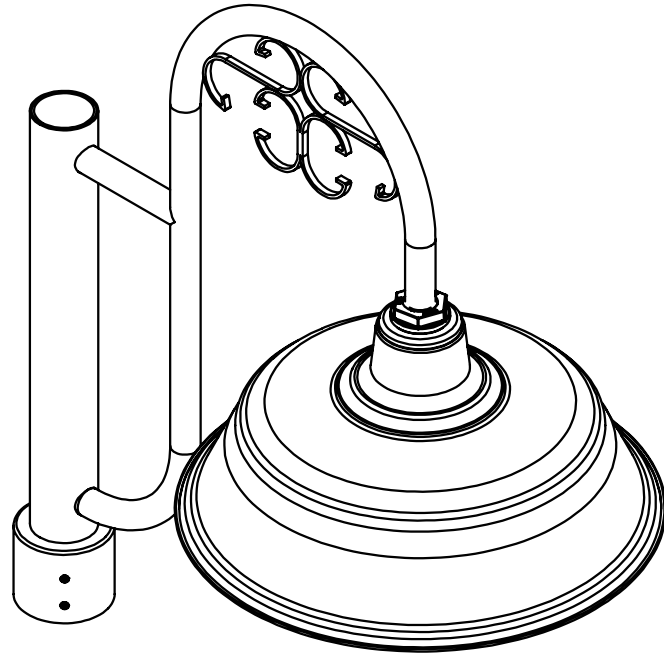
SPECIFICATIONS

GENERAL:

- CSA Listed for Wet Locations
- Made in USA, Manufactured and Hand-Crafted in Titusville, Florida
- UL Listed (US & Canada)
- Mounting, Sch 40, 6063 Aluminum

LIGHT SOURCE:

- E26 Medium Base Socket
- 200 Watt Max Per Socket



CUSTOM STEM MOUNT PENDANT: #204

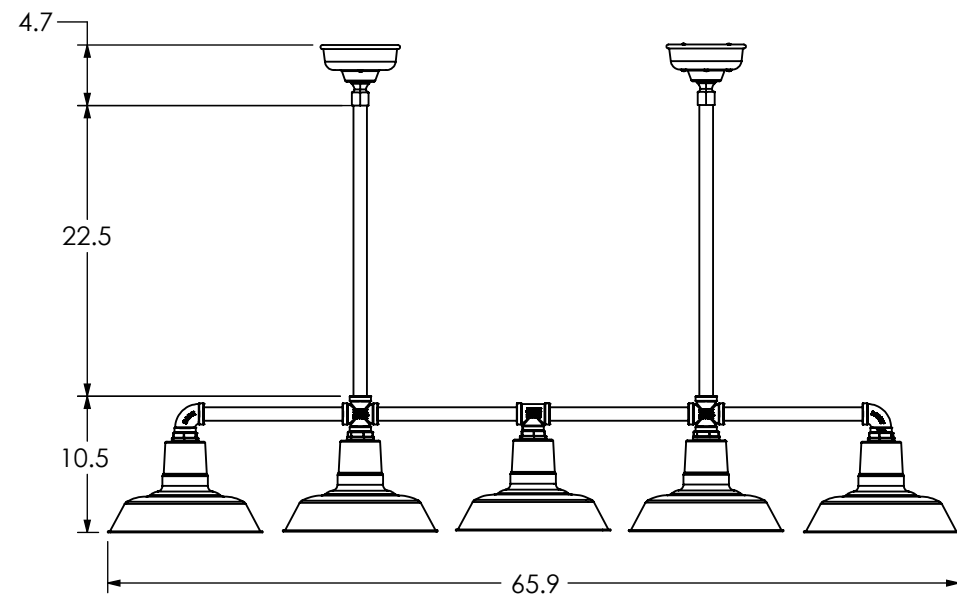
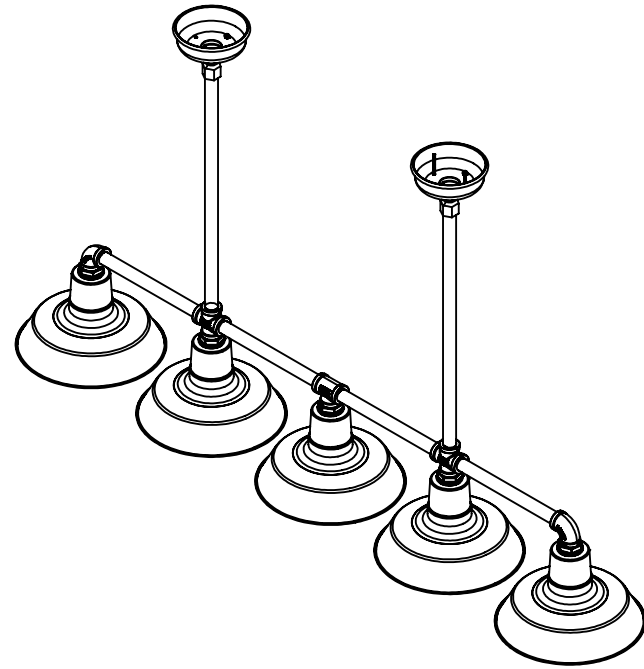
SPECIFICATIONS

GENERAL:

- Suitable for Damp Locations
- Made in USA, Manufactured and Hand-Crafted in Titusville, Florida
- UL Listed (US & Canada)

LIGHT SOURCE:

- E26 Medium Base Socket
- 200 Watt Max Per Socket



CUSTOM STEM MOUNT PENDANT: #90

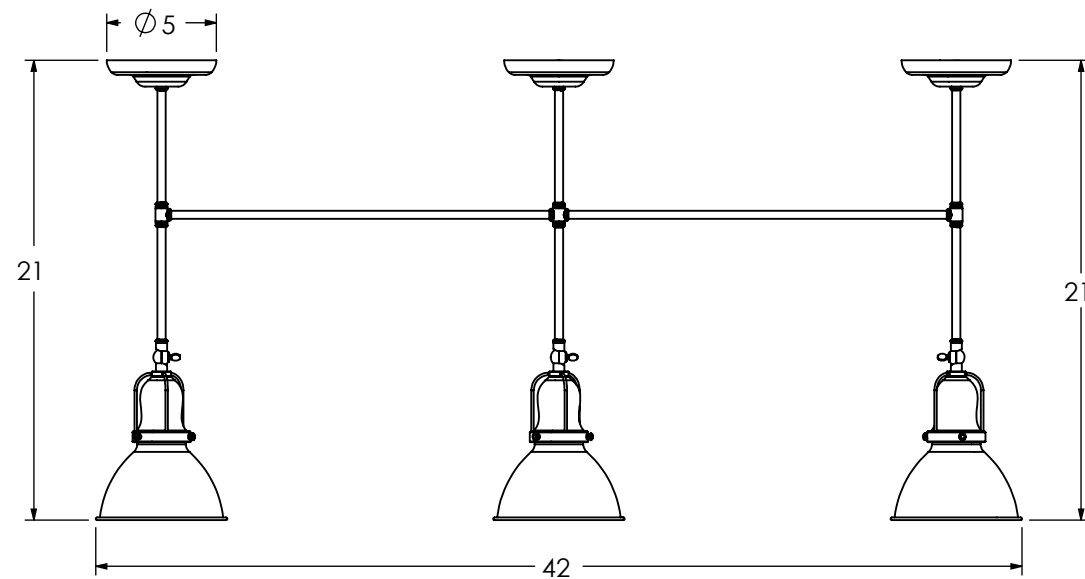
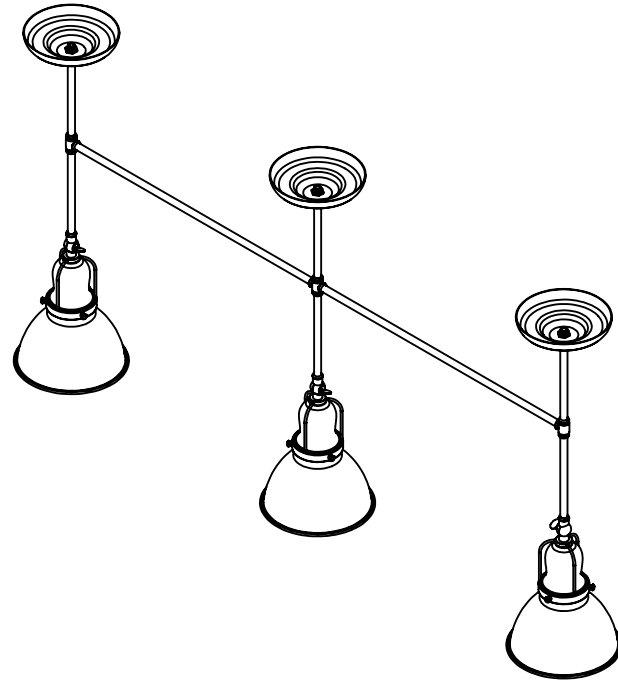
SPECIFICATIONS

GENERAL:

- Suitable for Dry Locations
- Made in USA, Manufactured and Hand-Crafted in Titusville, Florida
- CSA Listed (US & Canada)

LIGHT SOURCE:

- E26 Medium Base Socket
- 60 Watt Max Per Socket
- 120v Supply



CUSTOM CORD HUNG PENDANT: #3

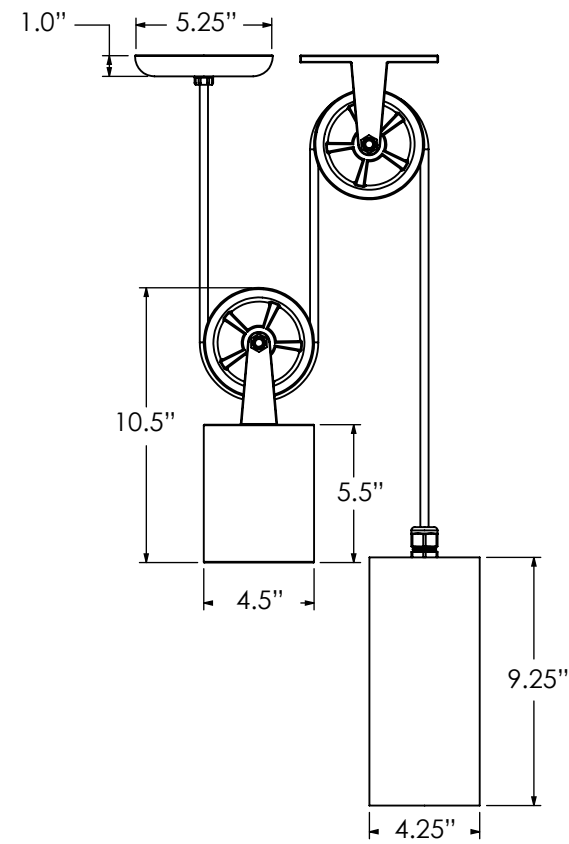
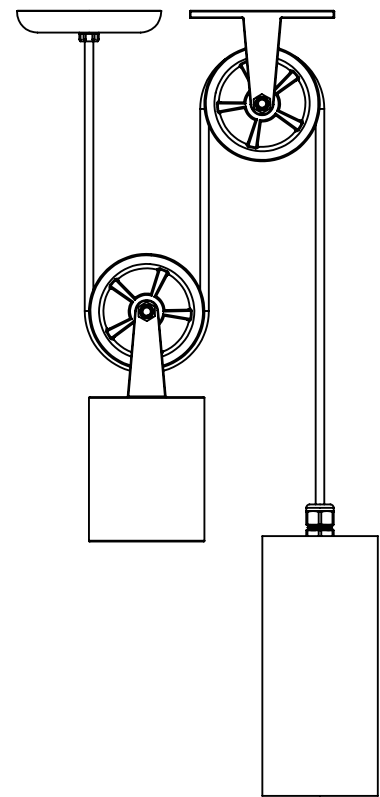
SPECIFICATIONS

GENERAL:

- Suitable for Dry Locations
- Made in USA, Manufactured and Hand-Crafted in Titusville, Florida
- CSA Listed (US & Canada)

LIGHT SOURCE:

- E26 Medium Base Socket
- 60 Watt Max Per Socket



CUSTOM STEM MOUNT PENDANT: #49

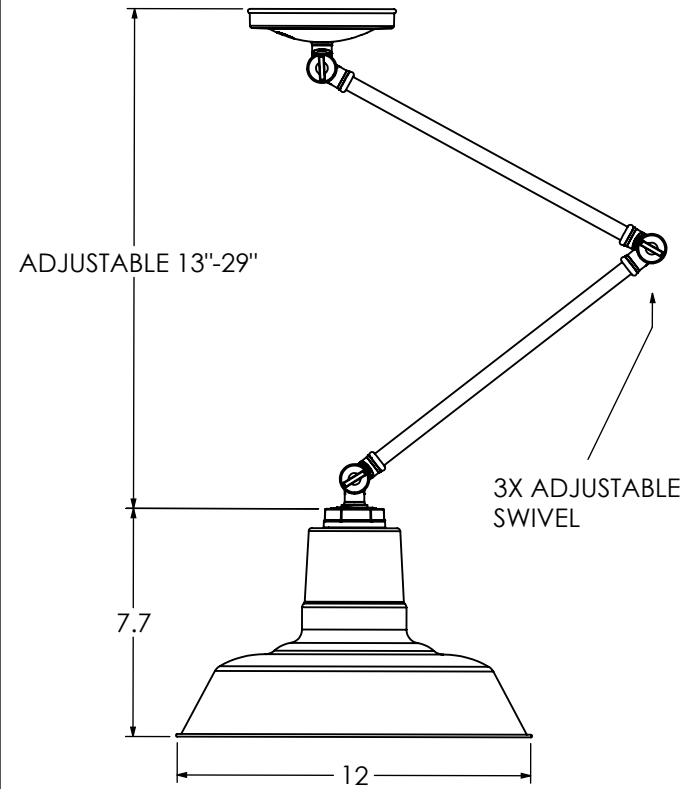
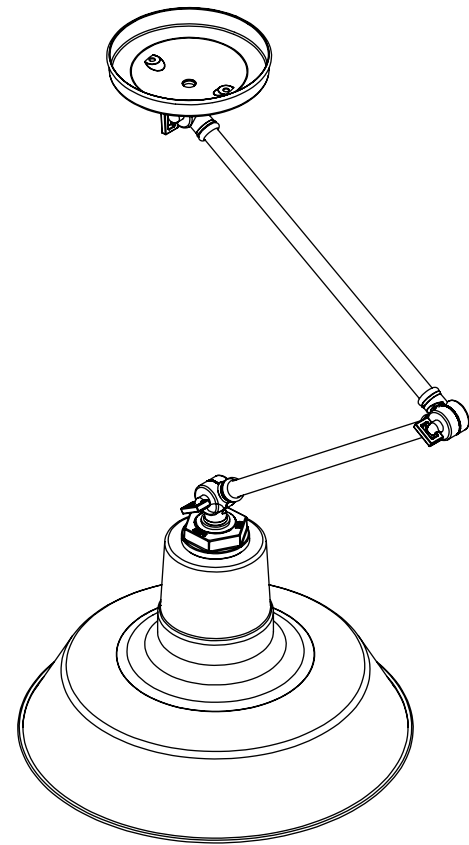
SPECIFICATIONS

GENERAL:

- Suitable for Damp Locations
- Made in USA, Manufactured and Hand-Crafted in Titusville, Florida
- CSA Listed (US & Canada)

LIGHT SOURCE:

- E26 Medium Base Socket
- 200 Watt Max Per Socket



CUSTOM STEM MOUNT PENDANT: #254

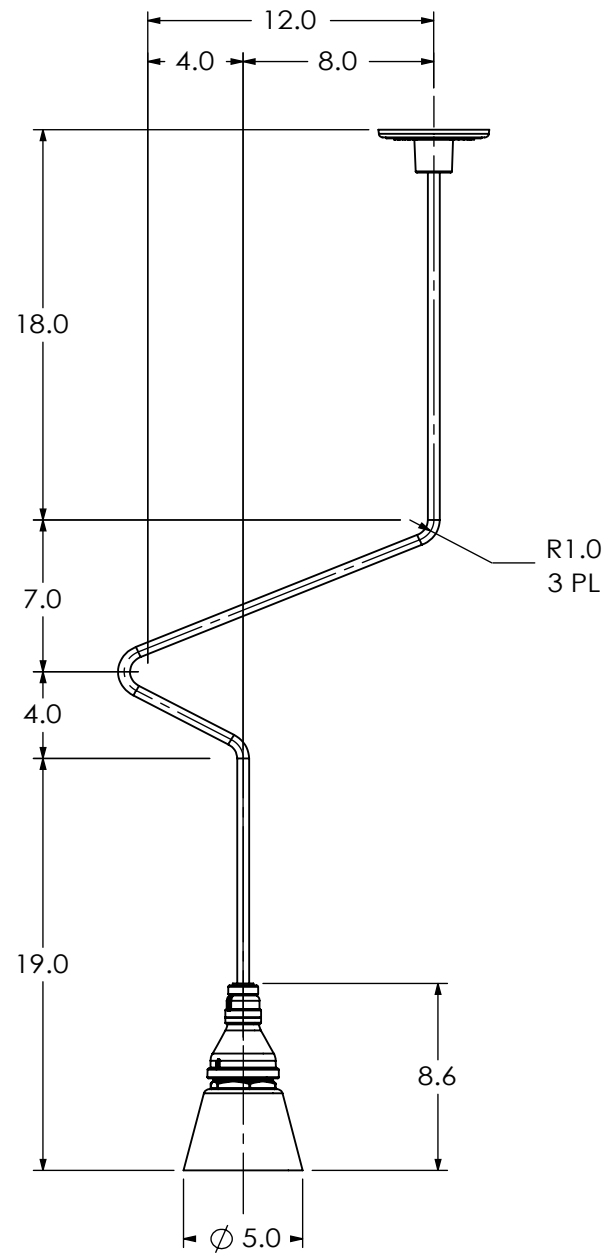
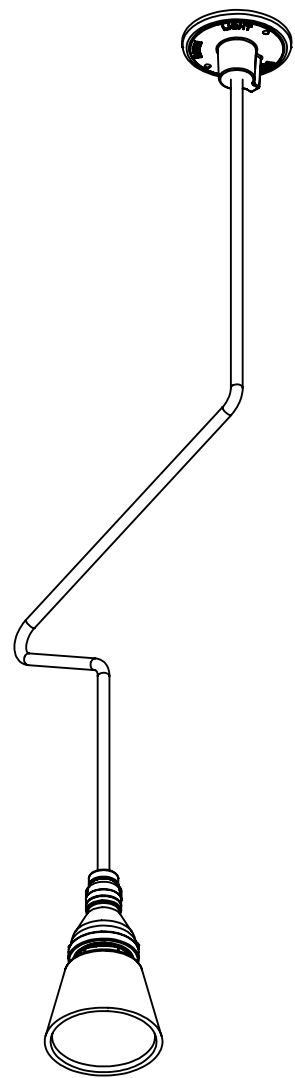
SPECIFICATIONS

GENERAL:

- Suitable for Damp Locations
- Made in USA, Manufactured and Hand-Crafted in Titusville, Florida
- UL Listed (US & Canada)
- Shade Finish is a Hand-Rubbed Danish Oil which is Buffed and Waxed to a Natural Sheen using Pure Carnauba Wax

LIGHT SOURCE:

- E26 Medium Base Socket
- 60 Watt Max Per Socket



CUSTOM WALL SCONCE: #202

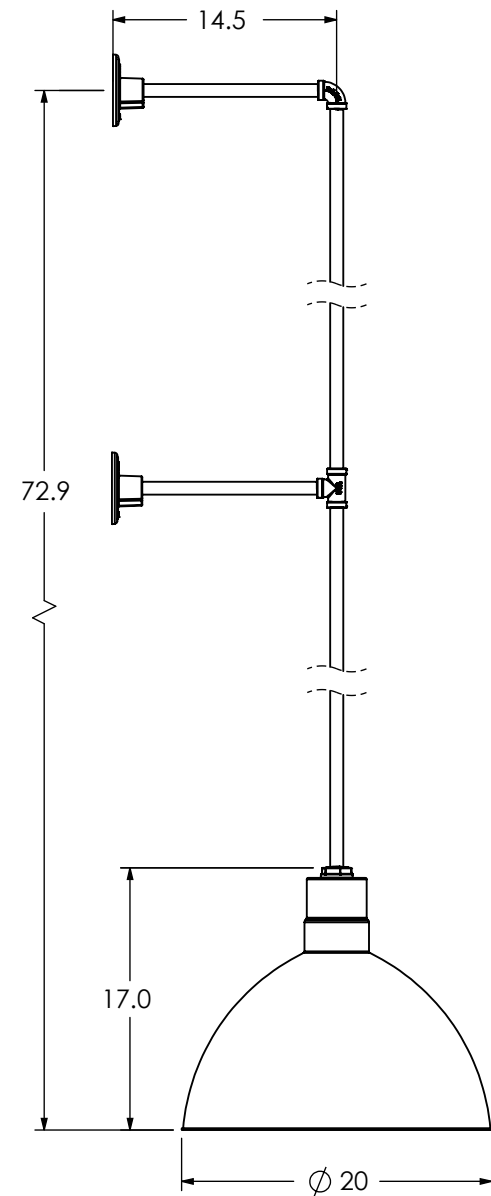
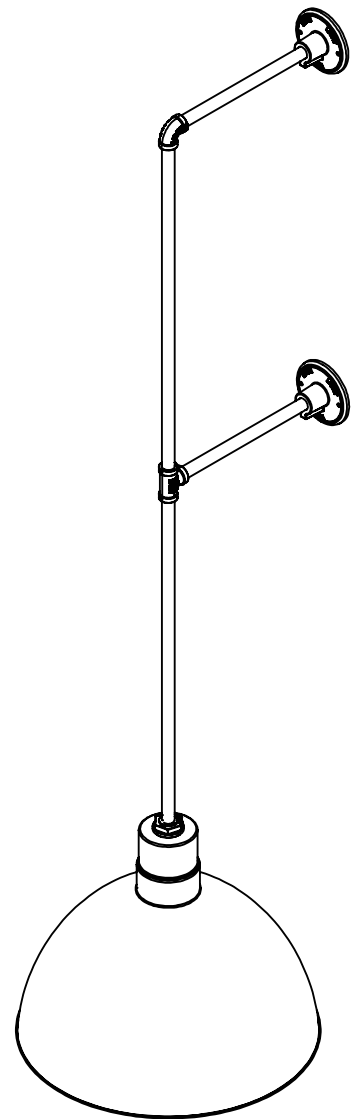
SPECIFICATIONS

GENERAL:

- Suitable for Dry Locations
- Made in USA, Manufactured and Hand-Crafted in Titusville, Florida
- CSA Listed (US & Canada)

LIGHT SOURCE:

- E26 Medium Base Socket
- 30 Watt Max Per Socket



CUSTOM WALL SCONCE: #198

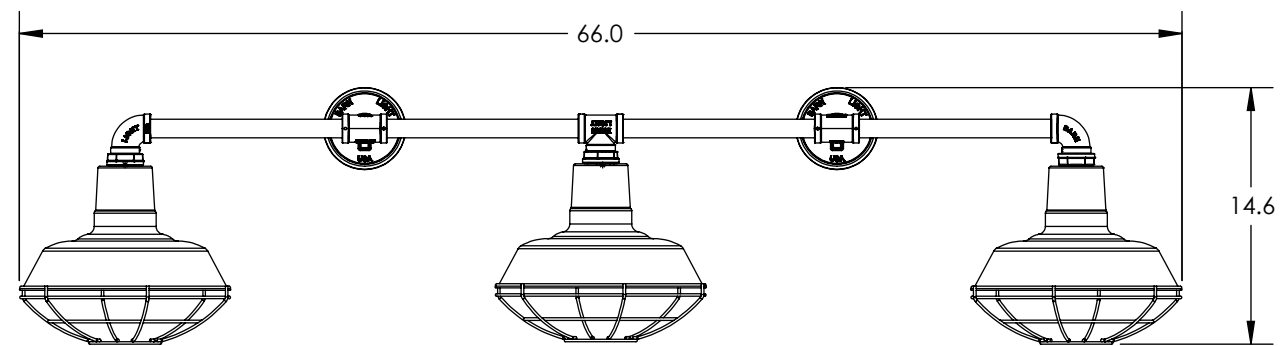
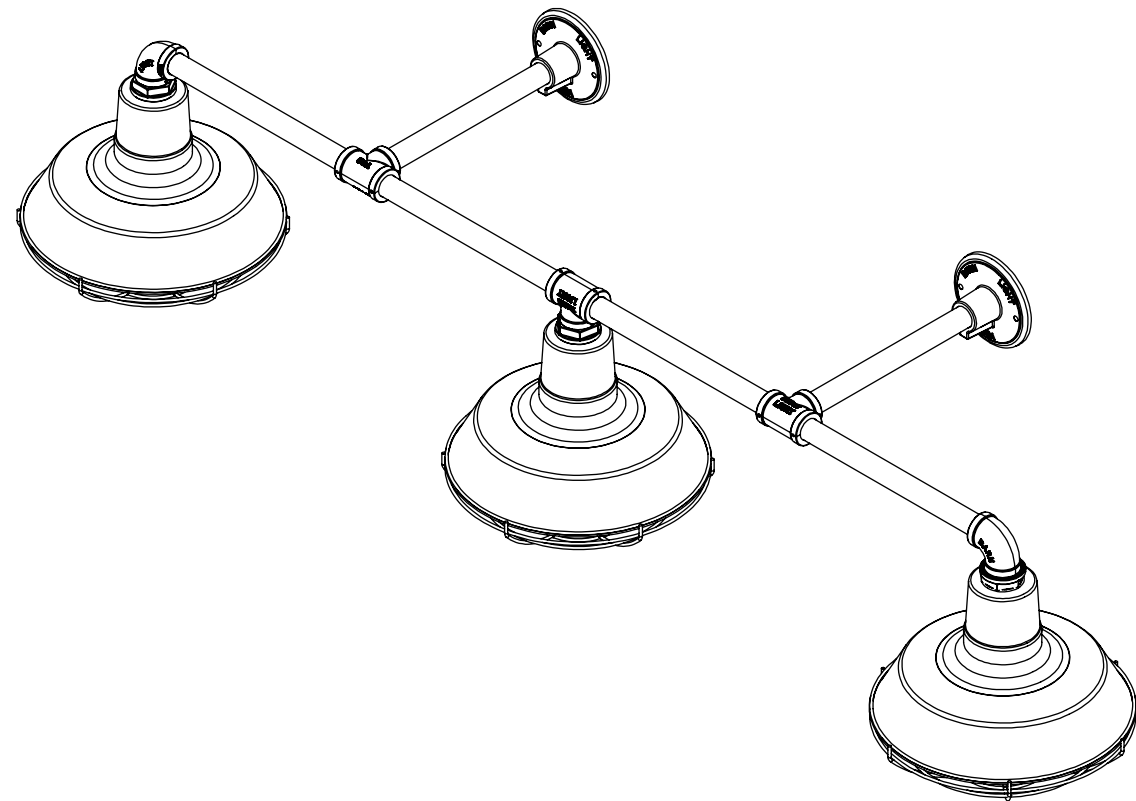
SPECIFICATIONS

GENERAL:

- Suitable for Wet Locations
- Made in USA, Manufactured and Hand-Crafted in Titusville, Florida
- CSA Listed (US & Canada)

LIGHT SOURCE:

- E26 Medium Base Socket
- 200 Watt Max Per Socket



CUSTOM WALL SCONCE: #179

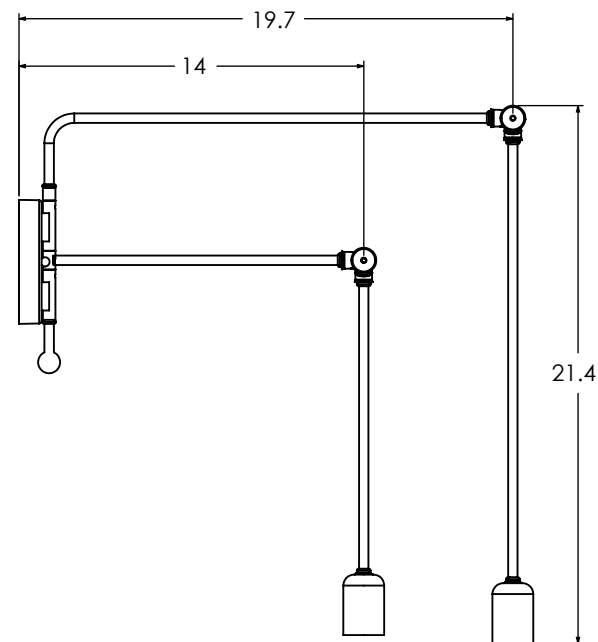
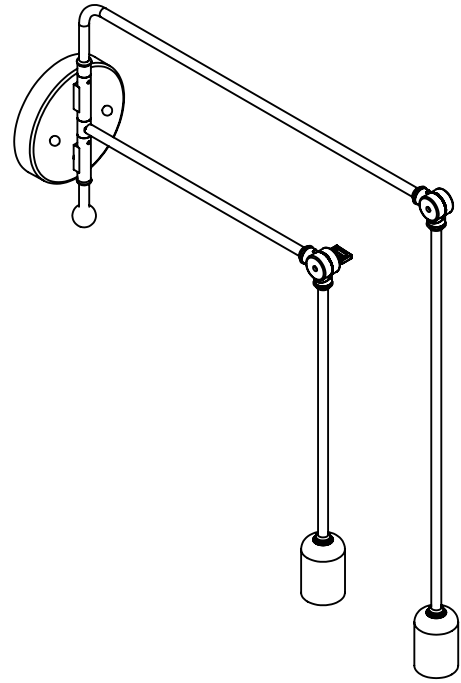
SPECIFICATIONS

GENERAL:

- Suitable for Dry Locations
- Made in USA, Manufactured and Hand-Crafted in Titusville, Florida
- CSA Listed (US & Canada)

LIGHT SOURCE:

- E26 Medium Base Socket
- 60 Watt Max Per Socket



IMPORTANT

The information contained in this catalog is the sole property of Barn Light Electric Company, LLC. Any reproduction in part or as a whole without the written permission of Barn Light Electric Company, LLC is prohibited.

